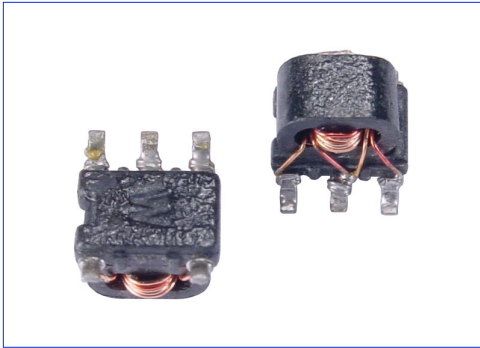


RF AND BALUN TRANSFORMERS



R35040 SERIES

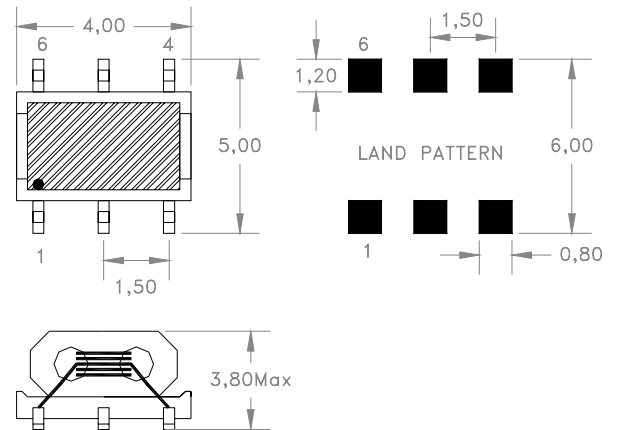


- RoHS Compliant Product
- Operating Temperature: -40°C to +85°C
- Custom Design Available
- Specification Subject to Change Without Notice

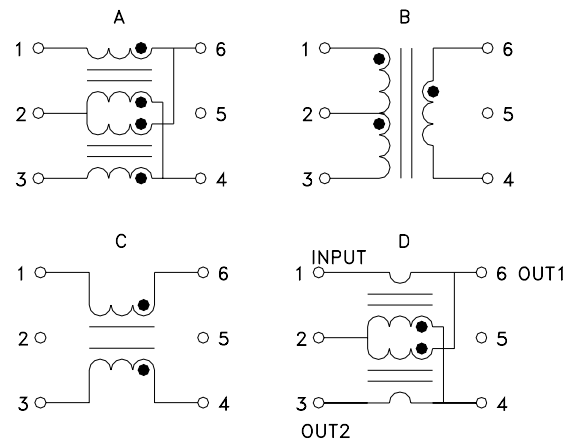
ELECTRICAL SPECIFICATION @ 25°C

PART NO	TURNS	FREQUENCY RESPONSE MHz	INSERTION LOSS dB Max	CIRCUIT
Double Balanced Mixer (50Ω:200Ω) (6-4:1-3)				
3A	3	25-2000	3	A
4A	4	6-1800	3	A
5A	5	3-1500	3	A
6A	6	0.1-1000	3	A
Frequency Mixer (50Ω:200Ω) (6-4:1-2-3)				
2B	2:4CT	40-650	3	B
3B	3:6CT	4.5-600	3	B
4B	4:8CT	3-400	3	B
5B	5:10CT	1.5-300	3	B
Transmission line				
2C	2½	10-2700	3	C
3C	3½	3-2400	3	C
4C	4½	2-2000	3	C
5C	5½	1.3-1800	3	C
Splitter/Directional Coupler				
3D	3	10-2000	in-out1, 2dB in-out2, 12dB	D
4D	4	8-1200	in-out1, 1.5dB in-out2, 14dB	D
5D	5	5-1000	in-out1, 1.2dB in-out2, 16dB	D
10D	10	1-1000	in-out1, 1.5dB in-out2, 19dB	D

Mechanical



Schematic



* Pin 5 may be omitted as identification if no connection.

Dimensions

Unless otherwise specified, all tolerances are:
 inch: .XX : ± 0.015 .XXX : ± 0.004
 mm: X,X : ± 0,38 X,XX : ± 0,10

Product performance is limited to specified parameter. Data is subject to change without prior notice.

R35040-XX
05463W

2463 208th, Ste. 205
Torrance, CA 90501

Phone: (310)533-1455
Fax: (310)533-1853

<http://www.mpsind.com>
Email: sales@mpsind.com