

SMT MINI WIDEBAND TRANSFORMERS



R3838 SERIES



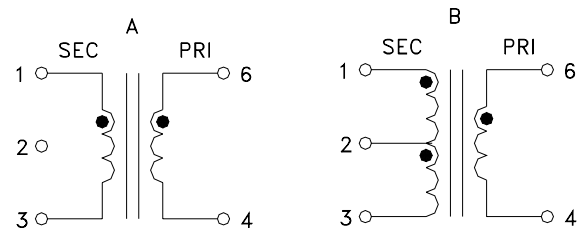
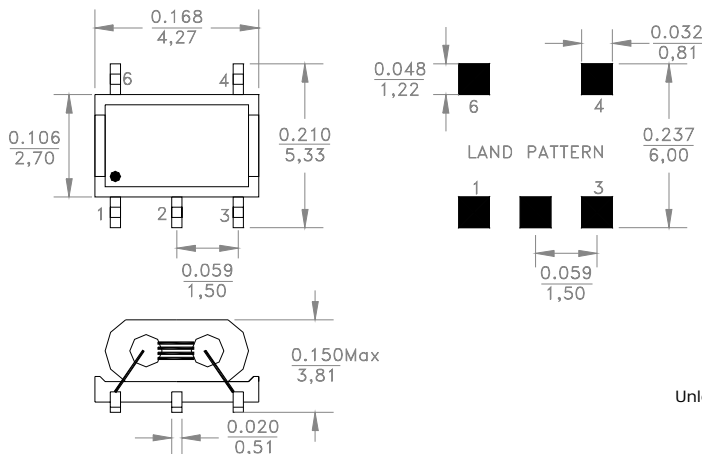
- Custom design available
- RoHS Compliant Product
- Operating Temperature: -40°C to +85°C
- Specification subjected to change without notice
- Proprietary property, no reproduce or copy allow without MPS Permission

ELECTRICAL SPECIFICATION @ 25°C

PART NO	IMPEDANCE RATIO ±10% PRI:SEC	BAND WIDTH MHz Typ	INSERTION LOSS dB Max at center	Pri OCL (μH) Min 4-6	Pri DCR (Ω) Max 4-6	Sec OCL (μH) Min 1-3	Sec DCR (Ω) Max 1-3	Schematic
1-1L	1:1	4-600	0.40	10.0	0.120	10.0	0.120	A
1-1TL	1:1	3.5-750	0.58	11.0	0.075	11.0	0.075	B
2-1TL	1:2	4-500	0.50	10.0	0.120	20.0	0.150	B
3-1TL	1:3	4-900	0.60	9.0	0.100	27.0	0.150	B
4-1TL	1:4	3.2-750	1.00	12.0	0.055	48.0	0.120	B
4-14TL	1:4	16-1200	2.00	2.0	0.050	8.0	0.100	B
4-1WL	1:4	6.5-1000	0.90	5.0	0.060	20.0	0.120	B
4-6TL	1:4	4.5-700	0.30	9.0	0.120	36.0	0.200	B
8-1L	1:8	1.5-600	0.60	22.0	0.080	176.0	0.310	B
9-1L	1:9	4.5-500	0.54	9.0	0.060	81.0	0.230	B
16-1TL	1:16	6.5-600	0.80	5.0	0.060	80.0	0.230	B

Mechanical

Schematic



TOLERANCE

Unless otherwise specified, all tolerances are:
 inch: .XX : ± 0.015 .XXX : ± 0.004
 mm: X,X : ± 0.38 X,XX : ± 0.10

Product performance is limited to specified parameter. Data is subject to change without prior notice.

R3838
0918AL