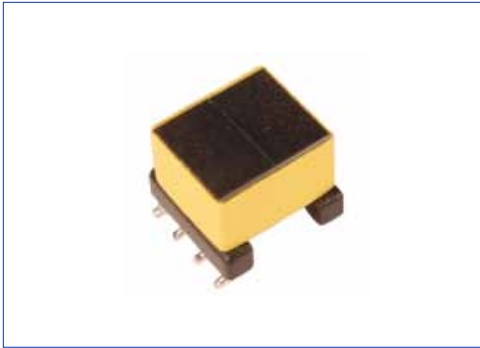


VDSL LINE TRANSFORMER

CONEXANT ACCELITY, ACCELITY I & II CHIPSET



B3337G



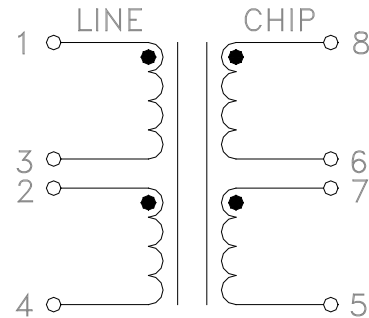
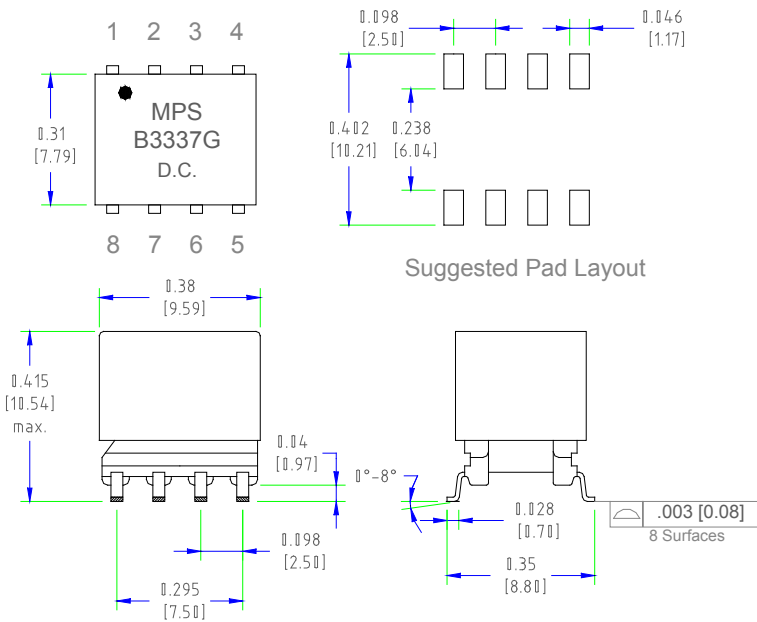
- RoHS Compliant Product
- Hipot: 1875VRMS 1 second (1,2,3,4 to 5,6,7,8)
600VRMS 1 second (1,3 to 2,4)
- Operating Temp : -40°C to +85°C
- Meets requirements of UL1950, EN60950 and IEC950 basic insulation
- 250V working voltage

ELECTRICAL SPECIFICATION @ 25°C

PART NO	TURNS RATIO ±2% Line:Chip	Lp ±10% µH 1-4 (tie 2+3)	Insertion Loss 0.1-12MHz dB Max	Frequency Response 0.1-25MHz dB Max	Leakage Inductance µH Max 1-4	Longitudinal Bal dB Min 0.1-17MHz	THD dB Typ 25KHz
B3337G	2.0:1.0	800	-1.0	-3.0	1.35	38	70

Mechanical

Schematic



Dimensions

Unless otherwise specified, all tolerances are:
 inch: .XX : ± 0.015 .XXX : ± 0.004
 mm: X,X : ± 0,38 X,XX : ± 0,10

Product performance is limited to specified parameter. Data is subject to change without prior notice.

B3337G
06231W

13200 Estrella Ave., Bldg. B
Gardena, CA 90248

Tel: (310) 325-1043
Fax: (310) 325-1044

www.mpsind.com
sales@mpsind.com