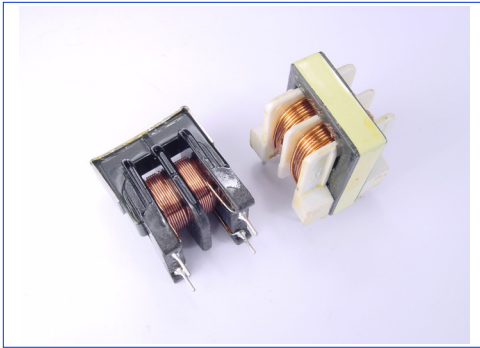


COMMON MODE CHOKE

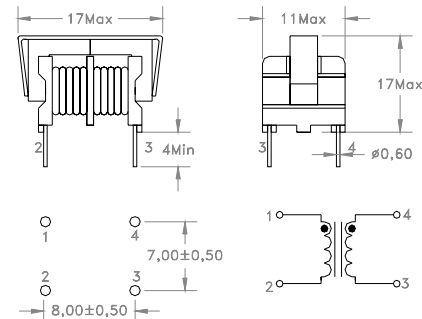


- RoHS Compliant Product
- Operating Temperature: -40°C to +85°C
- Hipot: 3750V_{RMS} (1-2 to 4-3)
- Turns Ratio: 1:1 (1-2 to 4-3)
- Inductance tested @ 1KHz, 0.1V_{RMS} (1-2, 4-3)
- Polarity: 1 and 4 are in phase
- Polarity: ΔT of 35°C temperature rise at rated I_{RMS}

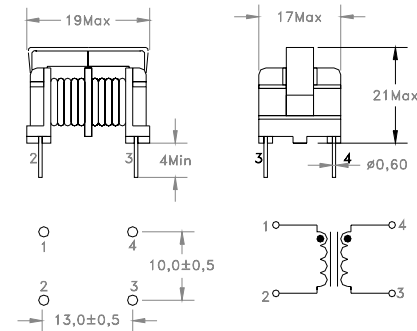
ELECTRICAL SPECIFICATION @ 25°C

PART NO	L Min (mH)	RATED I _{RMS} (A)	DCR Max (Ω)	PACKAGE
SERIES P52U98-				
501-0.5	0.5	1.50	0.12	A
102-1.2	1.0	1.20	0.22	A
202-0.85	2.0	0.85	0.40	A
502-0.5	5.0	0.50	1.00	A
802-0.4	8.0	0.40	2.00	A
103-0.35	10	0.35	2.20	A
223-0.27	22	0.27	4.00	A
SERIES P52U105-				
601-2.8	0.6	2.80	0.05	B
102-2.4	1.0	2.40	0.05	B
202-1.8	2.0	1.80	0.11	B
502-1.1	5.0	1.10	0.28	B
802-0.9	8.0	0.90	0.44	B
103-0.8	10	0.80	0.50	B
203-0.6	20	0.60	1.11	B
303-0.5	30	0.50	1.73	B
453-0.4	45	0.40	2.68	B
SERIES P52U157-				
601-4.4	0.6	4.40	0.03	C
102-3.6	1.0	3.60	0.03	C
202-2.9	2.0	2.90	0.06	C
502-2.3	5.0	2.30	0.10	C
802-1.6	8.0	1.60	0.20	C
103-1.5	10	1.50	0.22	C
203-1	20	1.00	0.49	C
303-0.8	30	0.80	0.76	C
453-0.7	45	0.70	1.18	C

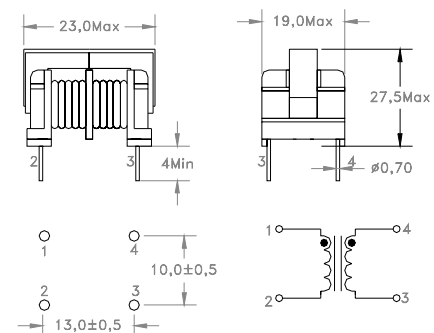
Package A



Package B



Package C



Dimensions

Unless otherwise specified, all tolerances are:
 inch: .XX : ± 0.015 .XX : ± 0.004
 mm: X,X : ± 0,38 X,XX : ± 0,10

Product performance is limited to specified parameter. Data is subject to change without prior notice.

P52UXX-XXX
0547JW

2463 208th, Ste. 205
Torrance, CA 90501

Phone: (310)533-1455
Fax: (310)533-1853

<http://www.mpsind.com>
Email: sales@mpsind.com