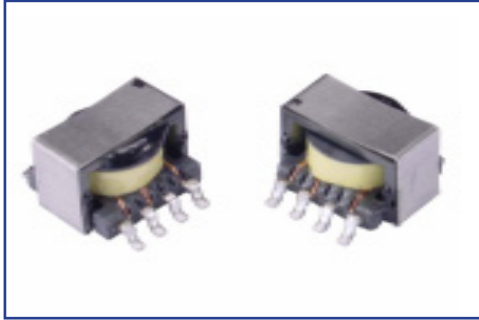


SHIELDED DIGITAL AUDIO TRANSFORMER



T500X



- Shielded Transformer
- Lowest Jitter
- Highest CMR
- 28-192KHz sample rate
- RoHS Compliant Product
- Custom design available on request

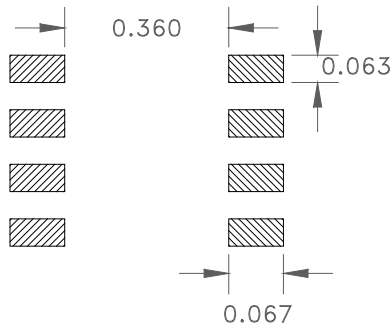
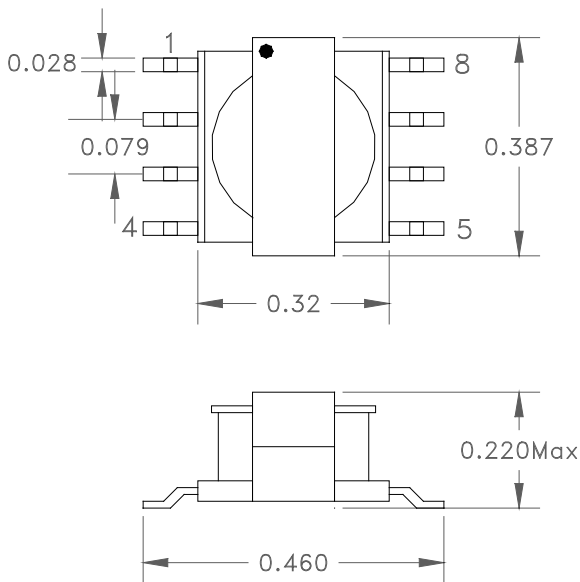
ELECTRICAL PARAMETERS @25°C

Part Number	Turns Ratio 1-4:5-8 ±2%	OCL (μH) Min 1-4	LL (μH) Max 1-4	C _{ww} (pF) Max 1-8	DCR (Ω) Max 1-4/5-8	Package
T5004	1:1	600	1.50	5.5	1.20	SMD
T5005	1:1	600	1.50	5.5	1.20	Thru Hole

Note:

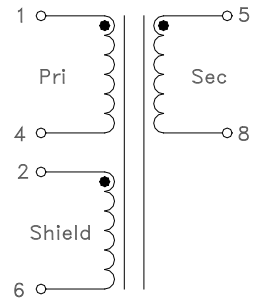
- OCL measured at 50KHz, 0.25V_{RMS}
- C_{ww} measured between pin 1 and 8 with pin 2 or 6 to guard voltage
- Hipot: 2KV_{DC}, 0.5mA max, 3 seconds (1,4 to 5,8)
- L_L and C_{ww} measured at 100KHz 0.25V_{RMS}
- Do not ground both pin 2 and pin 6 at the same time
- Polarity: 1 & 5 are in phase

DIMENSIONS



LANDED PATTERN

SCHEMATIC



Product performance is limited to specified parameters. Data is subject to change without prior notice.

Dimensions
Unless otherwise specified, all tolerances are:
inch: .XX : ±0.015 .XXX : ±0.004
mm: X,X : ±0,38 X,XX : ±0,10