

# RJ-45 10/100 BASE-TX Jack with Magnetic Module



## N51XX Series



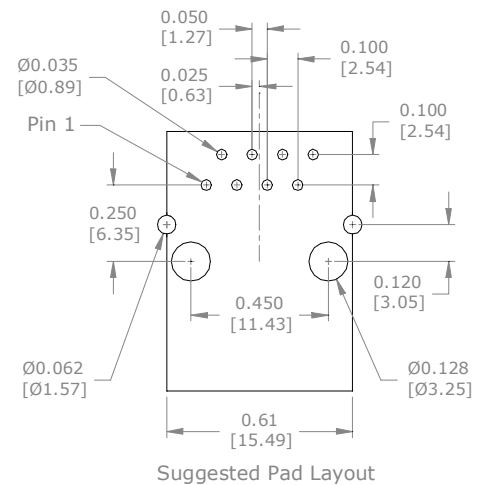
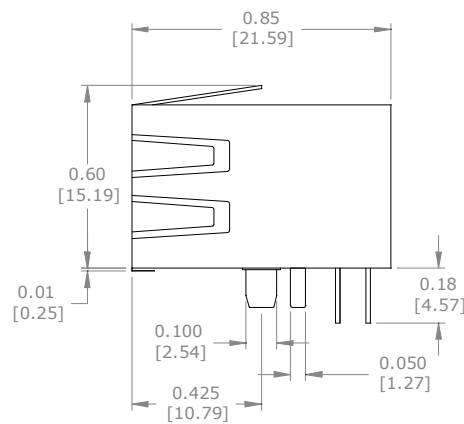
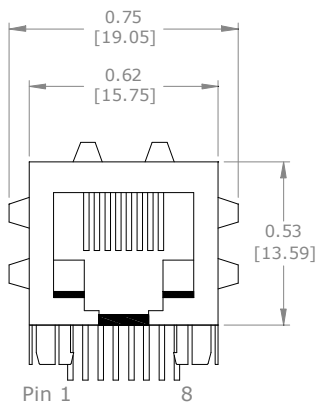
- Single port shielded RJ-45 connector with 10/100 Magnetics
- Operating temperature: 0°C to 70°C
- Storage temperature: -40°C to 85°C
- Available for all 10/100 transceiver Phy chips
- Complies with IEEE standards and all 10/100 Ethernet specifications including 350μH with 8mA DC Bias
- 1500Vrms Isolation

## ELECTRICAL SPECIFICATION @ 25°C

Part Number	Insertion Loss (dB max.)	Return Loss (dB min.)			Common to Common Mode Rejection (dB min.)	Common to Differential Mode Rejection (dB min.)	Crosstalk (dB min.)
		1-30 MHz	30-60 MHz	60-80 MHz			
	0.3-100 MHz				0.1-100 MHz	0.1-100 MHz	0.5-100 MHz
N5110	-1	-18	18-20Log(f/30MHz)	-12	-35	-40	-35
N5120	-1	-18	18-20Log(f/30MHz)	-12	-35	-40	-35
N5130	-1	-18	18-20Log(f/30MHz)	-12	-35	-40	-35

- **Note:** 1) Contact: 30 micro inch selective gold plating  
2) Plastic Housing: Glass filled polyester UL94V-0  
3) Pins: Phosphor bronze t=0.35mm  
4) Operating Life: 750 cycles min.  
5) PCB retention pre-solder: 1 Lb min.  
6) PCB retention post-solder: 10 Lbs min.
- Other versions available with alternate pin-out configurations. Contact MPS Engineering Team.

## Mechanical



## Dimensions

Unless otherwise specified, all tolerances are:  
.XX ± 0.010" & .XXX ± 0.003"  
Inches  
[mm]

N3XXS-A  
0443TA

Product performance is limited to specified parameter. Data is subject to change without prior notice.

2463 208th, Ste. 205  
Torrance, CA 90501

Phone: (310)533-1455  
Fax: (310)533-1853

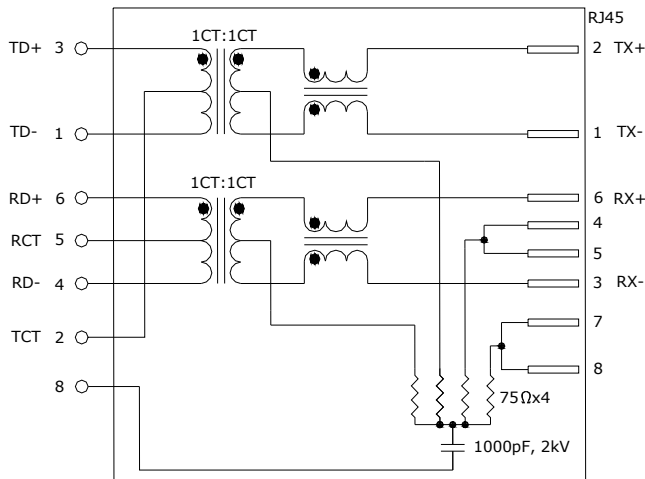
<http://www.mpsind.com>  
Email: [sales@mpsind.com](mailto:sales@mpsind.com)

# RJ-45 10/100 BASE-TX Jack with Magnetic Module

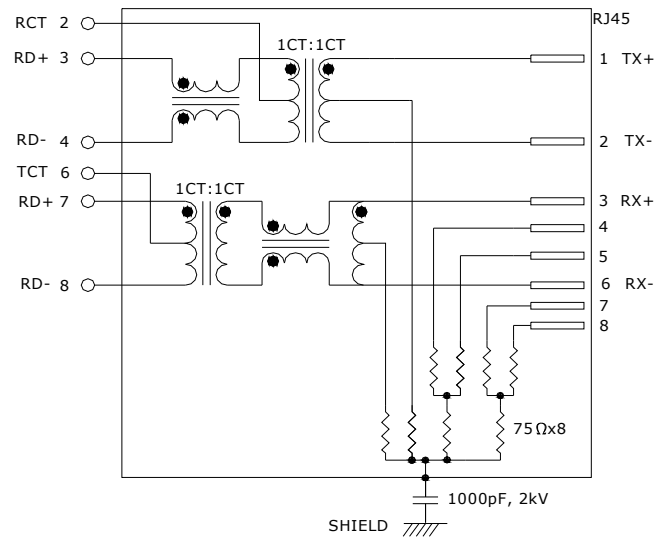


Schematics:

N5110



N5120



N5130

