

10/100 BASE-T SINGLE PORT

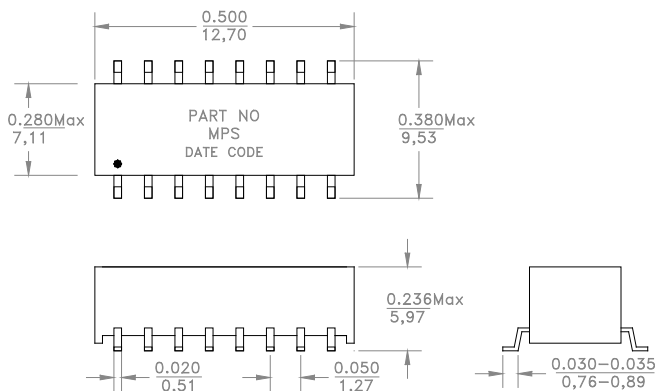


- RoHS Compliant Product
- Inductance: 350 μ H Min @ 100KHz, 0.1V_{RMS} with 8mA DC
- Hipot: 1500V_{RMS}
- Add L after part no. for low profile (height = 0.086"/2,20mm)
- Add X after part no. for extended operating temperature:
-40°C to +85°C (not applicable to low profile package)

ELECTRICAL SPECIFICATION @ 25°C

PART NUMBER	TURNS RATIO		INSERTION LOSS 0.1-100MHz (dB) Max	RETURN LOSS (dB) TYP			DCMR (dB) TYP			CROSS TALK (dB) TYP			SCHEMATIC
	TX	RX		30MHz	60MHz	80MHz	30MHz	50MHz	100MHz	30MHz	60MHz	100MHz	
N31100S	2:1	1:1	1:1	-20	-14	-11.5	-42	-37	-33	-45	-40	-35	A
N31101S	1.25:1	1:1	-1.1	-20	-14	-11.5	-42	-37	-33	-45	-40	-35	A
N31102S	1:1	1:1	-1.1	-20	-14	-11.5	-42	-37	-33	-45	-40	-35	A
N31103S	1:1.414	1:1	-1.1	-18	-12	-11.5	-42	-37	-33	-45	-40	-35	A
N31104S	1:1	1:1	-1.0	-18	-14	-12	-40	-40	-40	-35	-35	-35	C
N31105S	1:1	1:1	-1.0	-20	-14	-12	-42	-37	-32	-45	-40	-35	C
N31106S	1:1	1:1	0.9	-18	12	-11	-40	-35	-30	-45	-45	-37	B
N31188S	1:1	1:1	-1.1	-20	-14	-12	-42	-37	-32	-45	-40	-35	A
N31260S	1:1	1:1	-1.1	-16	-10	-10	-42	-37	-32	-45	-40	-33	C

Mechanical

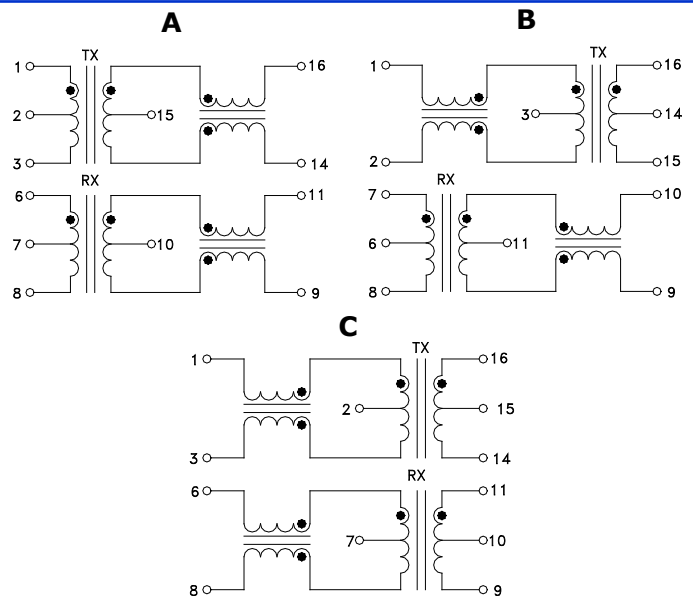


Dimensions

Unless otherwise specified, all tolerances are:
 inch: .XX : ± 0.015 .XXX : ± 0.004
 mm: X,X : ± 0.38 X,XX : ± 0.10

Product performance is limited to specified parameter. Data is subject to change without prior notice.

Schematic



N311XXS
0602JW