

SMD RJ45 10/100 BASE-T with Magnetic Module



N4101



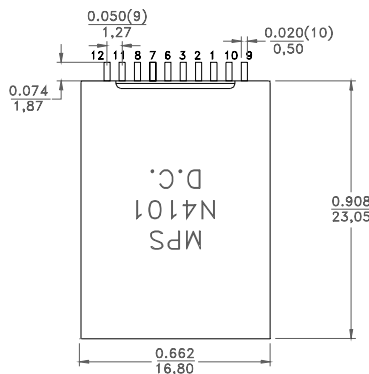
- Surface mount RJ-45 10/100BaseTX Ethernet Magnetics
- Designed to meet IEEE802.3ab requirement
- Designed for network interface card application
- Designed for 10/100 Base Transmission over UTP-5 cable
- Operating Temp : 0°C to 70°C
- RoHS Compliant Product

ELECTRICAL SPECIFICATION @ 25°C

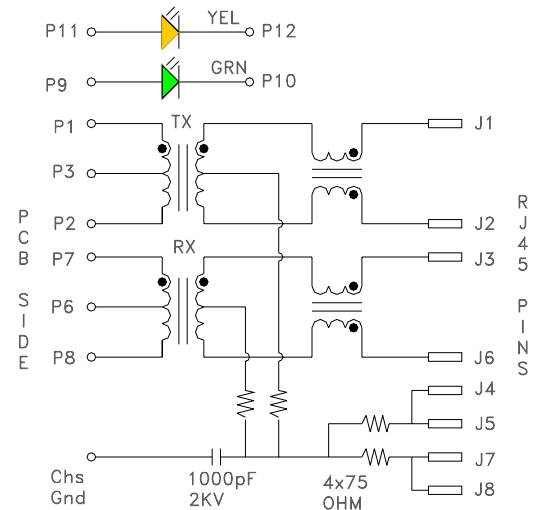
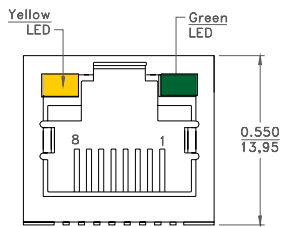
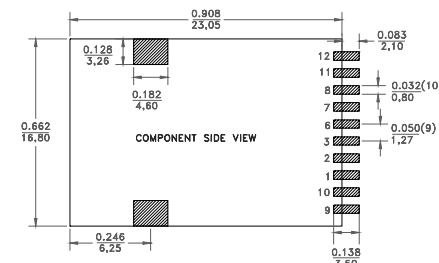
PART NO	Turns Ratio ±2%		Insertion Loss (dB) Max MHz		Return Loss ±15Ω (dB) Typ MHz		CROSS TALK (dB) Min MHz	CMR (dB) Min MHz
	TX	RX	1-80	100	1-60	60-100	1-80	1-100
N4101	1CT:1	1CT:1	-1.0	-1.2	-14	-10	-35	-30

Mechanical

Schematic



RECOMMENDED PCB LAND PATTERN



Dimensions

Unless otherwise specified, all tolerances are:
inch: .XX : ± 0.015 .XXX : ± 0.004
mm: X.X : ± 0,38 X,XX : ± 0,10

Product performance is limited to specified parameter. Data is subject to change without prior notice.

N4101
0851JW