

# SMD RJ45 10/100 BASE-T with Magnetic Module



## N4101



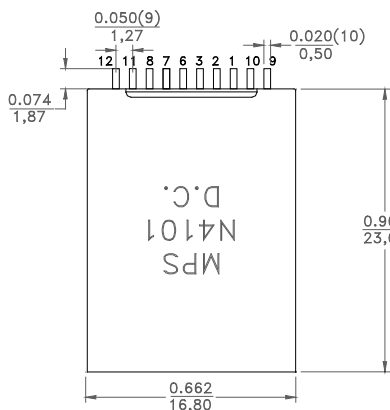
- RJ-45 10/100BaseTX Ethernet Magnetics
- Designed to meet IEEE802.3ab requirement
- Designed for network interface card application
- Designed for 10/100 Base Transmission over UTP-5 cable
- Operating Temp : 0°C to 70°C
- RoHS Compliant Product

### ELECTRICAL SPECIFICATION @ 25°C

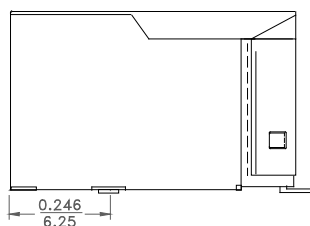
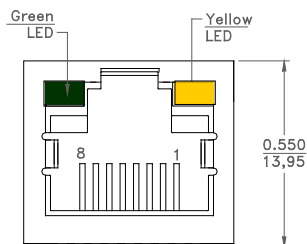
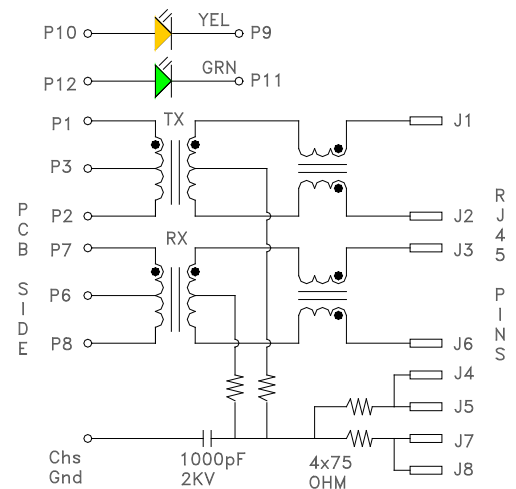
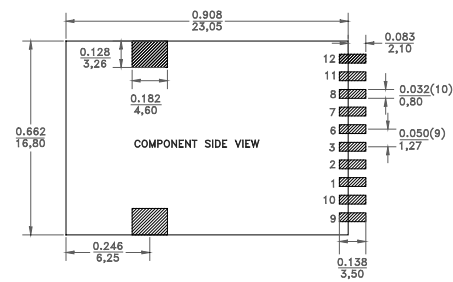
PART NO	Turns Ratio ±2%		Insertion Loss (dB) Max MHz		Return Loss ±15W (dB) Typ MHz		CROSS TALK (dB) Min MHz	CMR (dB) Min MHz
	TX	RX	1-80	100	1-60	60-100	1-80	1-100
N4101	1CT:1	1CT:1	-1.0	-1.2	-14	-10	-35	-30

### Mechanical

### Schematic



### RECOMMENDED PCB LAND PATTERN



### Dimensions

Unless otherwise specified, all tolerances are:  
 inch: .XX : ± 0.015 .XXX : ± 0.004  
 mm: X,X : ± 0,38 X,XX : ± 0,10

Product performance is limited to specified parameter. Data is subject to change without prior notice.

N4101  
0851JW