

# RJ45 10/100 BASE-T Jack with Magnetic Module



## N5414, N5418



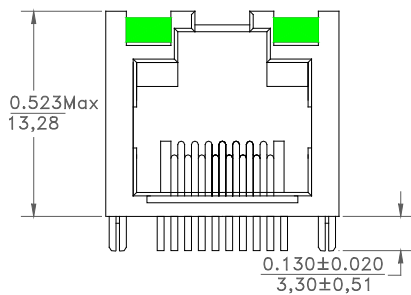
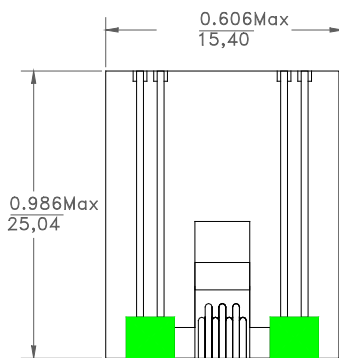
- RoHS Compliant Product
- Inductance: 350 $\mu$ H Min @ 100KHz, 0.1V<sub>RMS</sub> with 8mA DC
- Hipot: 1500V<sub>RMS</sub>
- Operating Temp : 0°C to 70°C
- Custom design available

## ELECTRICAL SPECIFICATION @ 25°C

PART NO	TURNS RATIO ±2%		INSERTION LOSS 0.1-100MHz (dB) Max	RETURN LOSS (dB) Typ MHz			CROSS TALK (dB) Typ MHz 0.3-100	CMR (dB) Typ MHz 0.3-100
	TX	RX		0.5-30	30-60	60-80		
N5414	1CT:1	1CT:1	-1.1	-18	-14	-12	-40	-35
N5418	1CT:1	1CT:1	-1.1	-18	-14	-12	-40	-40

## Mechanical

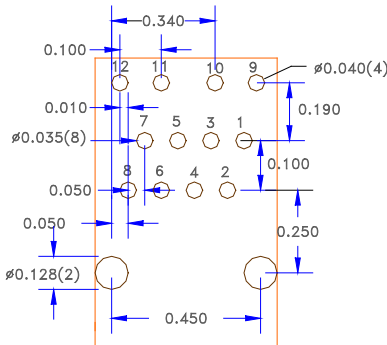
## Schematic



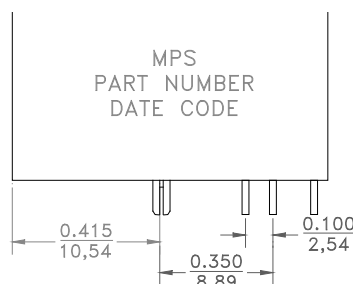
### Dimensions

Unless otherwise specified, all tolerances are:  
 inch: .XX : ± 0.015 .XXX : ± 0.004  
 mm: X,X : ± 0,38 X,XX : ± 0,10

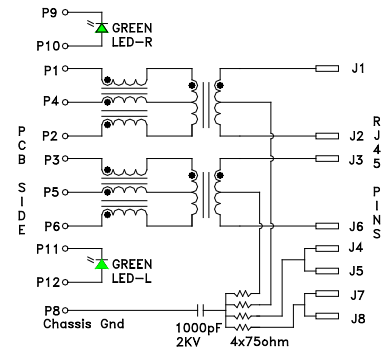
## RECOMMENDED PCB LAND PATTERN



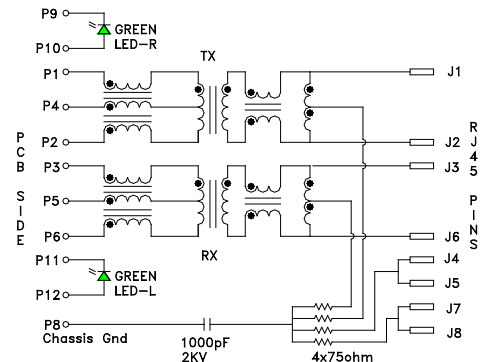
COMPONENT SIDE VIEW



MPS  
PART NUMBER  
DATE CODE



N5414



N5418

N5414, N5418  
06231W

Product performance is limited to specified parameter. Data is subject to change without prior notice.