

RJ45 10/100 BASE-T Jack with Magnetic Module



N5415, N5419



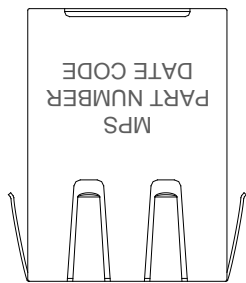
- RoHS Compliant Product
- Inductance: 350 μ H Min @ 100KHz, 0.1V_{RMS} with 8mA DC
- Hipot: 1500V_{RMS}
- Operating Temp : 0°C to 70°C
- Custom design available

ELECTRICAL SPECIFICATION @ 25°C

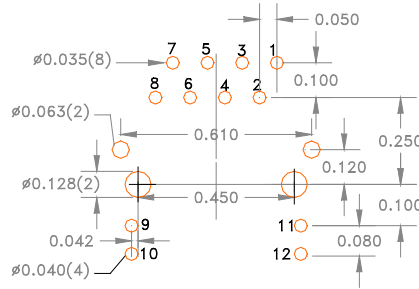
PART NO	TURNS RATIO ±2%		INSERTION LOSS 0.1-100MHz (dB) Max	RETURN LOSS (dB) Typ MHz				CROSS TALK (dB) Typ MHz	CMR (dB) Typ MHz			
	TX	RX		0.5-30	40	50	60-80		0.1-100	0.1-30	30-60	60-100
N5415	1CT:1	1CT:1	-1.1	-18	-15.5	-13.6	-12	-40	-38	-35	-30	
N5419	1CT:1	1CT:1	-1.1	-18	-15.5	-13.6	-12	-33	-50	-45	-40	

Mechanical

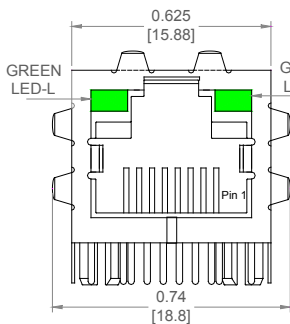
Schematic



RECOMMENDED PCB LAND PATTERN



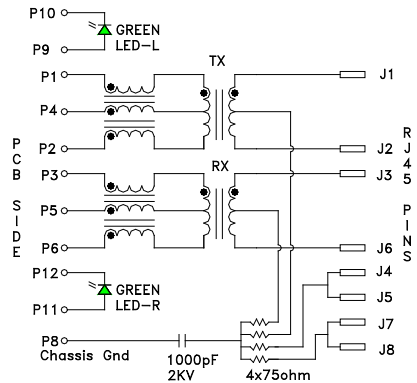
COMPONENT SIDE VIEW



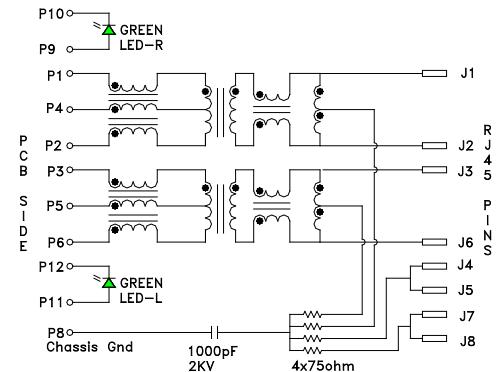
Dimensions

Unless otherwise specified, all tolerances are:
 inch: .XX : ± 0.015 .XXX : ± 0.004
 mm: X,X : ± 0,38 X,XX : ± 0,10

Product performance is limited to specified parameter. Data is subject to change without prior notice.



N5415



N5419

N5415, N5419
06231W