

# Vertical Mount 10/100 BASE-T RJ45 Jack With Magnetic Module



## N5426

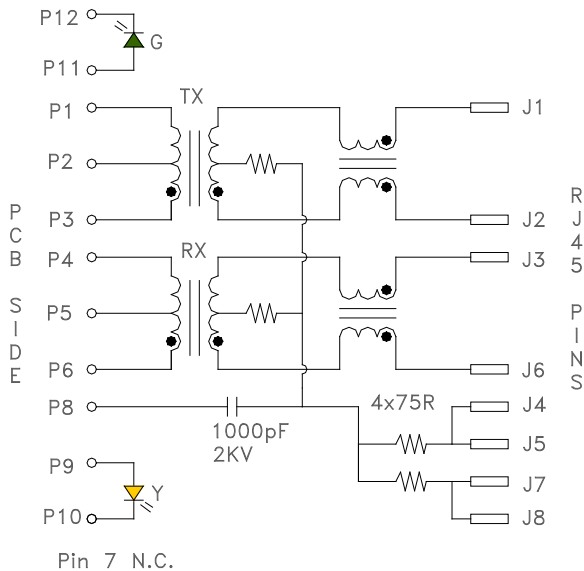


- Space saving vertical mount configuration
- Available with a variety of internal magnetic filter designs to support all PHYs
- Available with or without LEDs
- RoHS Compliant Product
- Hipot: 1500V<sub>RMS</sub>
- Custom design and configuration available upon request

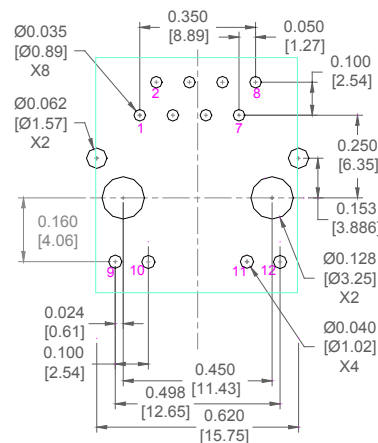
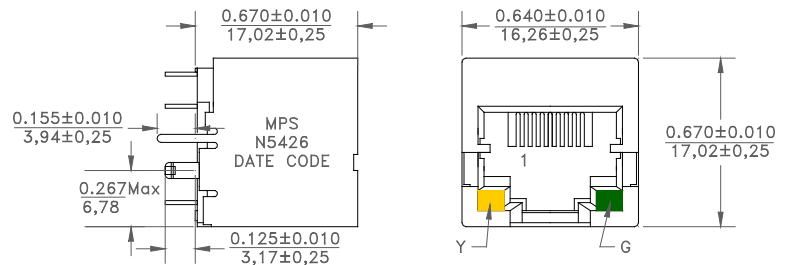
### ELECTRICAL SPECIFICATION @ 25°C

PART NO	TURNS RATIO		INSERTION LOSS 0.1-100MHz (dB) Max	RETURN LOSS (dB) Min MHz		CROSS TALK (dB) Typ MHz 1-100	CMR (dB) Typ MHz 30-100
	±2%			1-30	60-80		
	TX	RX					
N5426	1CT:1	1CT:1	-1.1	-18	-12	-40	-35

### Schematic



### Dimension



#### Dimensions

Unless otherwise specified, all tolerances are:  
 inch: .XX : ± 0.015 .XXX : ± 0.004  
 mm: X,X : ± 0,38 X,XX : ± 0,10

Product performance is limited to specified parameter. Data is subject to change without prior notice.

N5426  
0852AL

13200 Estrella Ave., Bldg. B  
Gardena, CA 90248

Tel: (310) 325-1043  
Fax: (310) 325-1044

www.mpsind.com  
sales@mpsind.com