

# RJ45 10/100/1000 Gigabit with Surge Protection



## N5430



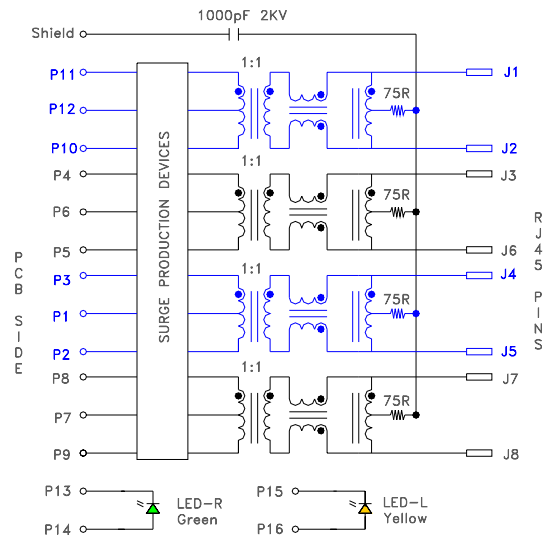
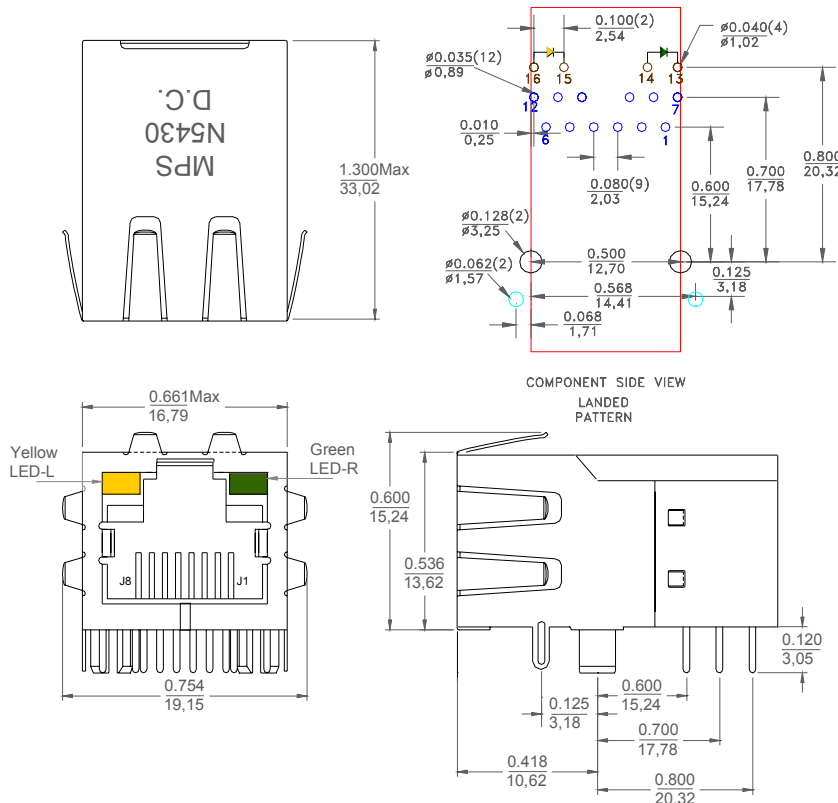
- RoHS Compliant Product
- Inductance: 350 $\mu$ H Min @ 100KHz, 0.1V<sub>RMS</sub> with 8mA DC
- Hipot: 1500V<sub>RMS</sub>
- Operating Temp : -40°C to 70°C
- Custom design available

## ELECTRICAL SPECIFICATION @ 25°C

PART NO	TURNS RATIO ±2% Pri:Sec	INSERTION LOSS 0.1MHz-125MHz (dB) Max	RETURN LOSS (dB) Typ MHz				CROSS TALK (dB) Typ MHz			CMR (dB) Typ MHz
			1-10	30-60	60-80	80-100	1-10	30-60	60-100	
N5430	1:1	-1.1	-19	-13	-12	-10	-45	-32	-27	-35

## Mechanical

## Schematic



### Dimensions

Unless otherwise specified, all tolerances are:  
 inch: .XX : ± 0.015 .XXX : ± 0.004  
 mm: X,X : ± 0,38 X,XX : ± 0,10

Product performance is limited to specified parameter. Data is subject to change without prior notice.

N5430  
07093W

2463 208th, Ste. 205  
Torrance, CA 90501

Phone: (310)533-1455  
Fax: (310)533-1853

<http://www.mpsind.com>  
Email: [sales@mpsind.com](mailto:sales@mpsind.com)