

MEDICAL GRADE POWER TRANSFORMER



M2001



- 60W Sine wave step up 10KHz to 60KHz
- Complies with IEC60950 and UL60601 reinforced isolation
- Hipot: 4000V_{RMS} (wdg to wdg, wdg to core)
- Operating Temperature: -40°C to +85°C
- RoHS Compliant Product
- Custom design available upon request

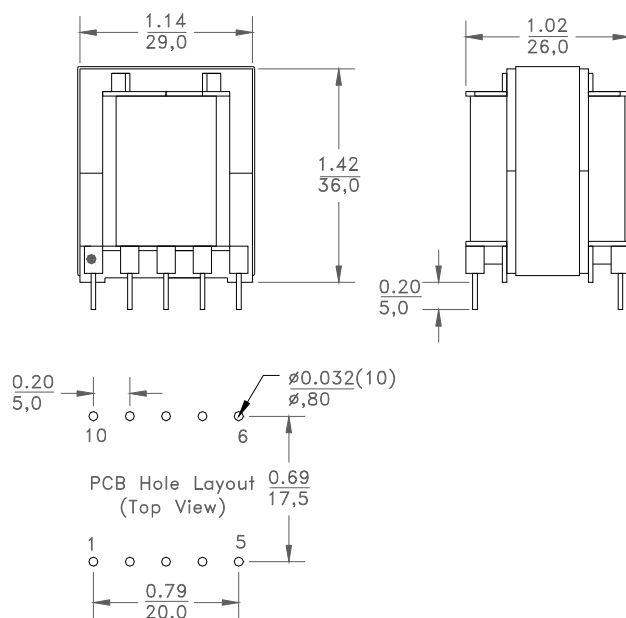
ELECTRICAL SPECIFICATION @ 25°C

Part No	OCL 10KHz μH ±25%	L _L 100KHz μH Max	DCR Ω Max	Turns Ratio ±5%	I _{OUT} mA Max
M2001-	(2-4)	(2-4)	(2-4)	(2-4 : 9-7)	(9-7)
12	360	1.0	0.050	1:12	167
14	360	1.0	0.050	1:14	143
16	360	1.0	0.050	1:16	125
20	360	2.0	0.050	1:20	100

Note:

- Input Voltage: 20Vp-p to 60Vp-p sine wave
- Polarity: 2 and 9 are in phase

Mechanical

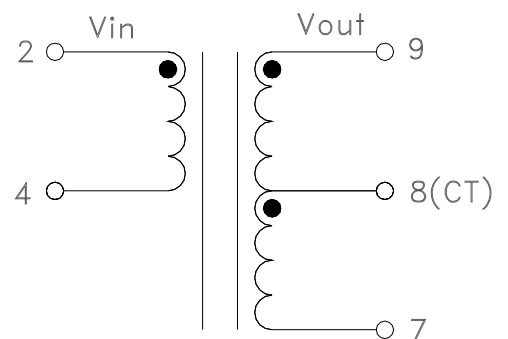


Dimensions

Unless otherwise specified, all tolerances are:

inch: .XX : ± 0.015 .XXX : ± 0.004
mm: X,X : ± 0,38 X,XX : ± 0,10

Schematic



Product performance is limited to specified parameter. Data is subject to change without prior notice.

M2001
0901JW