

MEDICAL GRADE COMMON MODE CHOKE



MX5013



- Good for use in Medical Switch Mode Power Supply applications
- Complies with IEC60950 and UL60601 reinforced isolation
- Designed for LF attenuation
- Operating Temperature: 0°C to +100°C
- RoHS Compliant Product
- Custom design available upon request

ELECTRICAL SPECIFICATION @ 25°C

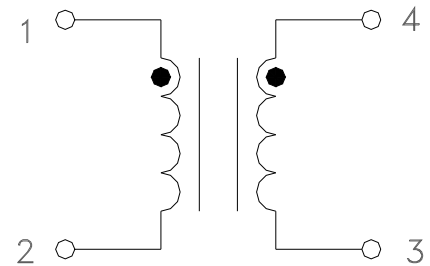
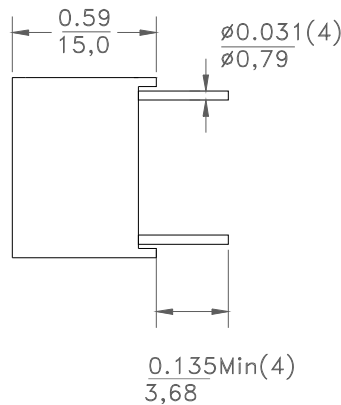
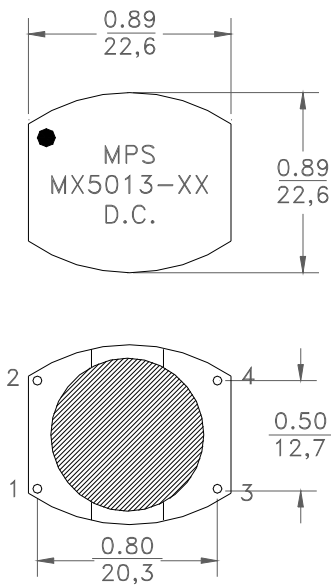
Part No	OCL 1KHz mH Min	DCR Ω Max	I _{RMS} A
MX5013-	(1-2)	(1-2)	Max
102	1.0	0.030	3.5
202	2.0	0.150	1.5
302	3.0	0.500	1.0
502	5.0	1.000	0.5

Note:

- Turns Ratio: 1:1 ±5% (1-2 to 4-3)
- Hipot: 4000VRMS (1-2 to 4-3)
- Polarity: 1 and 4 are in phase
- I_{RMS}: Temperature change of 40°C rise max at rated I_{RMS}

Mechanical

Schematic



Dimensions

Unless otherwise specified, all tolerances are:

inch: .XX : ± 0.015 .XXX : ± 0.004
mm: X.X : ± 0.38 X,XX : ± 0.10

Product performance is limited to specified parameter. Data is subject to change without prior notice.

MX5013
0901JW