

MEDICAL GRADE COMMON MODE CHOKE



MX5023



- Good for use in Medical Switch Mode Power Supply applications
- Complies with IEC60950 and UL60601 reinforced isolation
- Hipot: 4000V_{RMS} (1-2 to 4-3)
- Operating Temperature: 0°C to +100°C
- RoHS Compliant Product
- Custom design available upon request

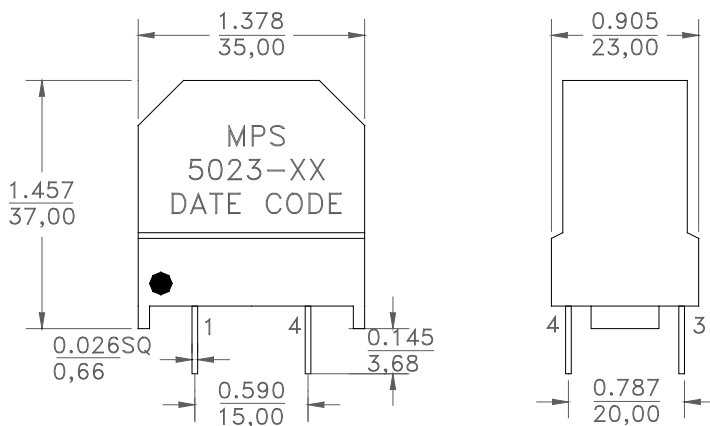
ELECTRICAL SPECIFICATION @ 25°C

Part No.	OCL 1KHz mH Min (1-2)	DCR Ω Max (1-2)	I _{RMS} A Max
MX5023-			
102	1.0	0.015	9.0
202	2.0	0.030	6.0
302	3.0	0.100	4.0
502	5.0	0.250	2.5

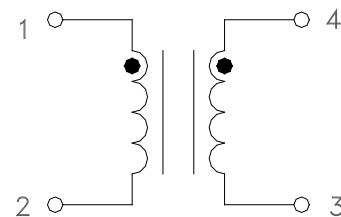
Note:

- Turns Ratio: 1:1 ±5% (1-2 to 4-3)
- Polarity: 1 and 4 are in phase
- I_{RMS}: Temperature change of 35°C rise max at rated I_{RMS}

MECHANICAL



SCHEMATIC



Product performance is limited to specified parameters.
Data is subject to change without prior notice.

Dimensions
Unless otherwise specified, all tolerances are:
inch: .XX : ±0.015 .XXX : ±0.004
mm: X,X : ±0,38 X,XX : ±0,10

13200 Estrella Ave., Bldg. B
Gardena, CA 90248

Tel: 310-325-1043
Fax: 310-325-1044

www.mpsind.com
sales@mpsind.com