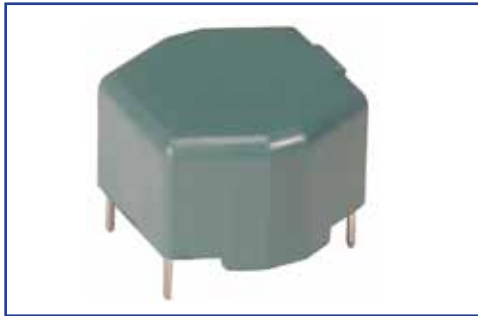


MEDICAL GRADE VIDEO ISOLATION TRANSFORMER



R3573, R3574

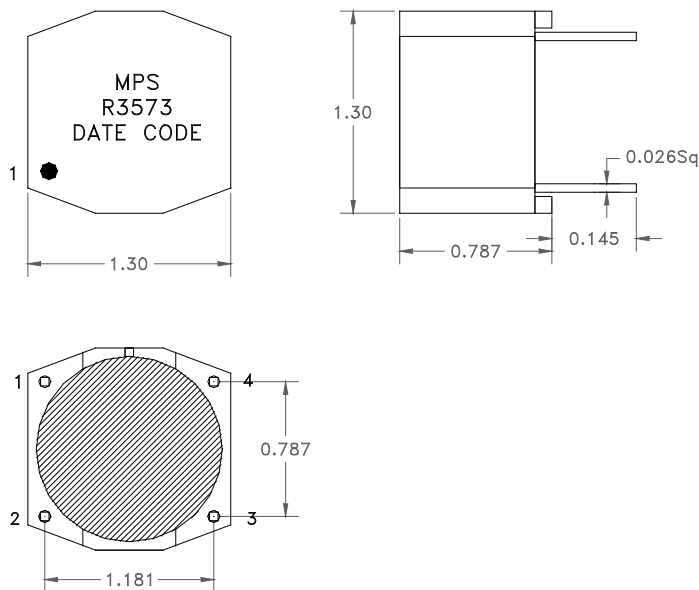


- CCTV video hum elimination and ground isolation
- Complies with IEC60950 and UL60601 reinforced isolation
- 1.0Vp-p input, 75Ω source and matching load
- Hipot: 4KV subscript, 2mA Max, 60 seconds (Pri to Sec)
- Operating Temperature: 0°C to +70°C
- RoHS Compliant Product

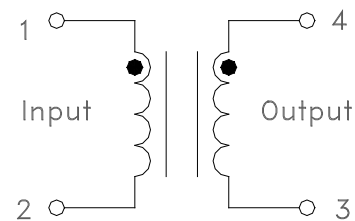
ELECTRICAL SPECIFICATION @ 25°C

Part No.	OCL 1KHz mH Min (1-2)	Leakage L μH Max (1-2)	DCR Ω Max (1-2)	Insertion Loss dB Typ	Freq Resp Typ (-3dB) (4-3)	Impedance Ratio ±5% 1-2 : 4-3
R3573	400	8.0	10.00	-1.8	50MHz-6MHz	75Ω : 75Ω
R3574	350	10.00	10.00	-1.8	50MHz-6MHz	75Ω : 100Ω

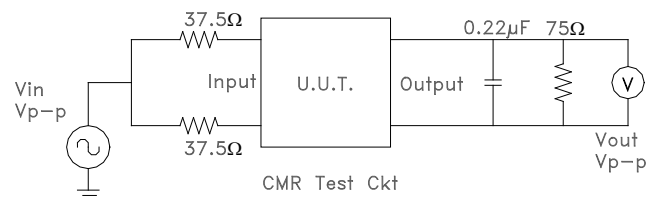
MECHANICAL



SCHEMATIC



COMMON MODE TEST CIRCUIT



Product performance is limited to specified parameters.
Data is subject to change without prior notice.

Dimensions
Unless otherwise specified, all tolerances are:
inch: .XX : ±0.015 .XXX : ±0.004
mm: X,X : ±0,38 X,XX : ±0,10