

# SMD POWER INDUCTOR



## P10DR73 SERIES

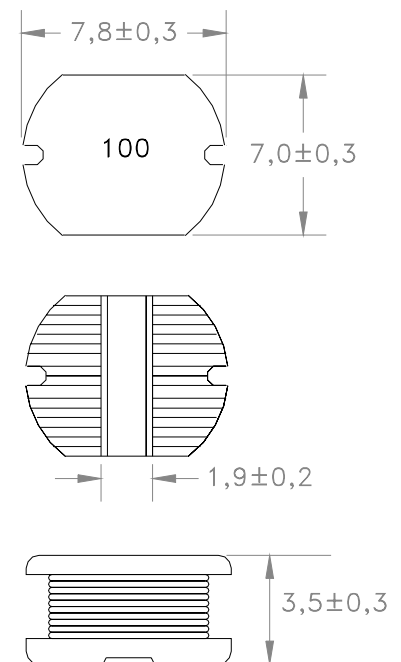


- RoHS Compliant Product
- Inductance measured :  $< 100\mu\text{H}$  : 100KHz,  $0.25V_{\text{RMS}}$
- Inductance measured :  $\geq 100\mu\text{H}$  : 1KHz,  $0.25V_{\text{RMS}}$
- Inductance Tolerance: J= $\pm 5\%$ , K= $\pm 10\%$ , L= $15\pm\%$ , M= $\pm 20\%$   
Add suffix letter for tolerance after the part number
- $I_{\text{RATED}}$ : Max 10% inductance drop and  $\Delta T=40^\circ\text{C}$  Temp Rise
- Operating Temperature:  $-40^\circ\text{C}$  to  $+85^\circ\text{C}$

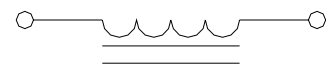
## ELECTRICAL SPECIFICATION @ 25°C

PART NO	L $\pm 20\%$ ( $\mu\text{H}$ )	DCR Max ( $\text{m}\Omega$ )	RATED $I_{\text{DC}}$ (A)
P10DR73-			
1R0	1.0	10	6.00
1R5	1.5	13	5.80
2R2	2.2	18	5.20
3R3	3.3	25	4.00
4R7	4.7	35	3.50
5R6	5.6	40	3.00
6R8	6.8	50	2.50
8R2	8.2	60	2.00
100	10	80	1.44
120	12	90	1.39
150	15	100	1.24
180	18	110	1.12
220	22	130	1.07
270	27	150	0.94
330	33	170	0.85
390	39	220	0.74
470	47	250	0.68
	$\pm 10\%$		
560	56	280	0.64
680	68	330	0.59
820	82	410	0.54
101	100	480	0.51
121	120	540	0.49
151	150	750	0.40
181	180	1020	0.36
221	220	1200	0.31
271	270	1310	0.29
331	330	1500	0.28
391	390	1850	0.25
471	470	2200	0.22
561	560	2600	0.20
681	680	3200	0.18
821	820	3900	0.16
102	1000	4500	0.15

## Mechanical



## Schematic



### Dimensions

Unless otherwise specified, all tolerances are:  
 inch: .XX :  $\pm 0.015$  .XXX :  $\pm 0.004$   
 mm: X,X :  $\pm 0,38$  X,XX :  $\pm 0,10$

Product performance is limited to specified parameter. Data is subject to change without prior notice.

P10DR73-XX  
0602JW

2463 208th, Ste. 205  
Torrance, CA 90501

Phone: (310)533-1455  
Fax: (310)533-1853

<http://www.mpsind.com>  
Email: [sales@mpsind.com](mailto:sales@mpsind.com)