

SHIELDED RADIAL INDUCTOR



P11RS2875 SERIES

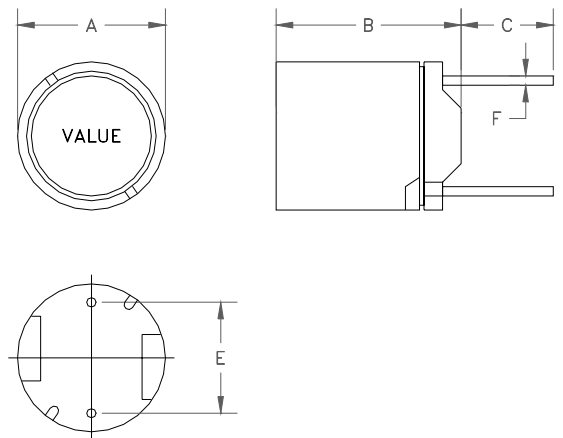


- RoHS Compliant Product
- Ferrite shielded inductor
- L_p tested at 1KHz, $1.0V_{RMS}$
- Inductance Tolerance: M = $\pm 20\%$
- I_{DC} : 10% inductance drop typical from initial value
- I_{RMS} : $\Delta T \leq 40^\circ C$ Temp Rise at rated current
- Operating Temperature: $-40^\circ C$ to $+85^\circ C$

ELECTRICAL SPECIFICATION @ 25°C

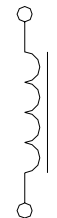
PART NO	L_p $\pm 20\%$ (μH)	DCR Max (Ω)	RATED I_{DC} (A)	RATED I_{RMS} (A)
P11RS2875-				
100M	10	0.047	3.60	2.95
120M	12	0.055	3.20	2.70
150M	15	0.068	2.96	2.25
180M	18	0.083	2.72	2.10
220M	22	0.097	2.48	2.00
270M	27	0.130	2.08	1.75
330M	33	0.140	2.00	1.70
390M	39	0.170	1.68	1.50
470M	47	0.210	1.60	1.32
560M	56	0.230	1.44	1.11
680M	68	0.280	1.36	1.00
820M	82	0.400	1.28	0.92
101M	100	0.450	1.12	0.84
121M	120	0.50	1.04	0.80
151M	150	0.63	0.96	0.72
181M	180	0.68	0.88	0.70
221M	220	0.91	0.75	0.53
271M	270	1.00	0.70	0.51
331M	330	1.20	0.65	0.44
391M	390	1.30	0.56	0.42
471M	470	1.70	0.53	0.37
561M	560	2.10	0.42	0.33
681M	680	2.30	0.41	0.31
821M	820	3.10	0.38	0.28
102M	1000	3.90	0.35	0.24
122M	1200	4.30	0.33	0.22
152M	1500	5.80	0.27	0.18
182M	1800	7.10	0.26	0.17
222M	2200	7.9	0.24	0.16
272M	2700	11.0	0.20	0.14
332M	3300	12.0	0.18	0.13
392M	3900	16.1	0.17	0.12
472M	4700	18.1	0.16	0.11
562M	5600	25.4	0.14	0.10
682M	6800	28.8	0.13	0.09
822M	8200	41.8	0.12	0.08
103M	10000	46.8	0.11	0.07

Mechanical



DIM	mm
A	8,3 Max
B	7,5 Max
C	$5,0 \pm 1,0$ min
E	$5,0 \pm 0,5$
F	0,60

Schematic



Dimensions

Unless otherwise specified, all tolerances are:
 inch: .XX : ± 0.010 .XXX : ± 0.003
 mm: X,X : $\pm 0,254$ X,XX : $\pm 0,076$

Product performance is limited to specified parameter. Data is subject to change without prior notice.

P11RS2875-XXX
07091W

2463 208th, Ste. 205
Torrance, CA 90501

Phone: (310)533-1455
Fax: (310)533-1853

<http://www.mpsind.com>
Email: sales@mpsind.com