

SHIELDED SMD POWER INDUCTOR



PS124 SERIES

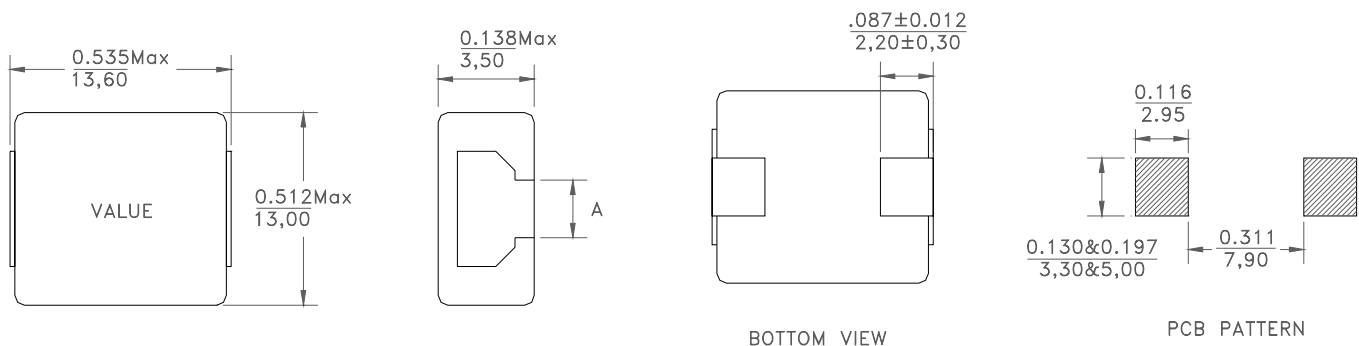


- High current inductor for Voltage Regulated Module (VRM)
- Good for DC/DC converter and switch-mode power supply applications
- High current in compact package
- Operating temperature: -55°C to +120°C
- RoHS Compliant Product

ELECTRICAL PARAMETERS @ 25°C

PART NUMBER	L ±20% (μH)	I _{SAT} (A) Max	I _{RMS} (A) Max	DCR (mΩ) Max
PS124-				
R47M	0.47	39	20.0	1.5
R60M	0.60	36	18.5	1.7
R68M	0.68	34	18.0	2.5
R82M	0.82	32	17.0	2.6
1R0M	1.00	30	16.0	2.9
1R5M	1.50	26	14.5	5.5
1R8M	1.80	25	12.5	7
2R2M	2.20	22	11.5	8
3R3M	3.30	15	10.5	13
4R7M	4.70	12	7.5	15
5R6M	5.60	11	6.0	22
6R8M	6.80	10	5.5	26
8R2M	8.20	9	4.5	29
100M	10.0	7	3.5	35

Mechanical



UNIT = inch/mm
 Unless otherwise specified, all tolerances are:
 inch: .XX : ± 0.015 .XXX : ±0.010
 mm: X,X : ± 0,38 X,XX : ±0,25

Product performance is limited to specified parameter. Data is subject to change without prior notice.

PS124-SERIES
0852AL