

# SMD POWER INDUCTOR



## PX13308 SERIES



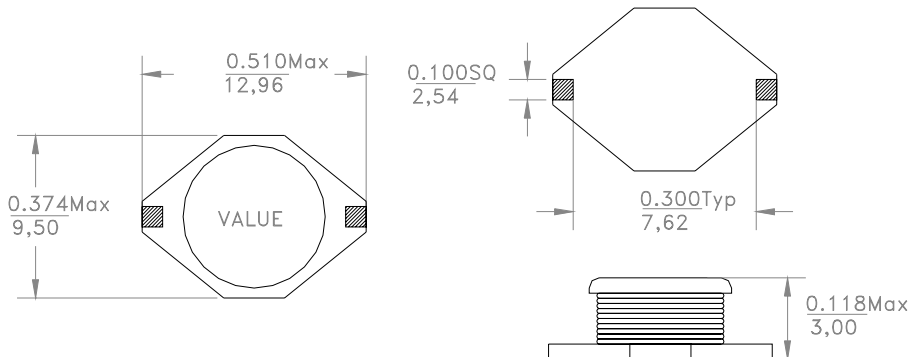
- RoHS Compliant Product
  - Operating Temperature: -40°C to +85°C
  - Inductance tested @ 100KHz, 0.1V<sub>RMS</sub>
  - Add -M for 20% standard inductance tolerance
- Optional inductance tolerance: K=±10%, L=±15%  
(subject to request)
- I<sub>SAT</sub>: 10% inductance drop typical @ I<sub>SAT</sub>

### ELECTRICAL SPECIFICATION @ 25°C

Part Number	L ±20% (μH)	DCR Max (mΩ)	SRF MHz Typical	I <sub>SAT</sub> (A)	I <sub>RMS</sub> (A)
PX13308-					
472	4.7	36	50	4.20	6.8
682	6.8	60	47	3.90	6.4
103	10	85	37	2.70	6.1
153	15	120	35	2.30	5.4
223	22	180	26	1.80	4.8
333	33	250	19	1.60	4.4
473	47	320	14	1.30	3.9
683	68	540	12	1.10	3.1
104	100	690	11	0.87	2.7
154	150	940	9	0.74	2.1
224	220	1600	6.0	0.56	1.8
334	330	2150	5.5	0.50	1.5
474	470	3300	4.5	0.40	1.3
684	680	4400	3.5	0.33	1.0
105	1000	7000	2.5	0.29	0.8

### Mechanical

### Schematic



#### Dimensions

Unless otherwise specified, all tolerances are:

inch: .XX : ± 0.015 .XXX : ±0.004

mm: X,X : ± 0,38 X,XX : ±0,10

Product performance is limited to specified parameter. Data is subject to change without prior notice.

PX13308-XX  
0602JW

2463 208th, Ste. 205  
Torrance, CA 90501

Phone: (310)533-1455  
Fax: (310)533-1853

<http://www.mpsind.com>  
Email: [sales@mpsind.com](mailto:sales@mpsind.com)