

# SMD POWER INDUCTOR



## PX15022 SERIES



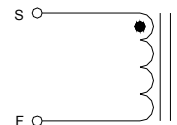
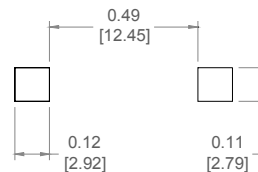
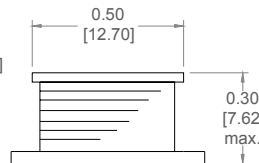
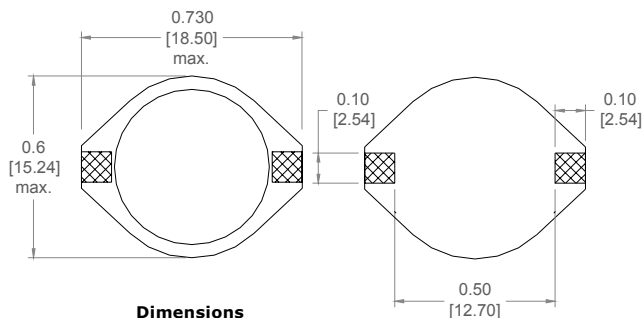
- RoHS Compliant Product
- Operating Temperature: -40°C to +85°C
- Inductance tested @ 100KHz, 0.1V<sub>RMS</sub> @ 0ADC
- Add -M for 20% standard inductance tolerance after part no.
- I<sub>DC</sub>: 10% inductance drop typical from its initial value at I<sub>DC</sub>
- I<sub>RMS</sub>: Δ40°C temperature rise max at I<sub>RMS</sub>
- Marking: Value

## ELECTRICAL SPECIFICATION @ 25°C

Part Number	L ±20% (μH)	I <sub>DC</sub> (A)	I <sub>RMS</sub> (A)	R <sub>DC</sub> MAX (Ω)
PX15022-				
102	1.0	20.0	8.6	0.009
222	2.2	16.0	7.1	0.014
332	3.3	14.0	6.2	0.018
562	5.6	12.0	5.3	0.020
822	8.2	10.0	4.8	0.029
103	10	10.0	4.3	0.031
153	15	8.0	4.0	0.036
223	22	7.0	3.5	0.047
333	33	5.5	3.0	0.066
473	47	4.5	2.6	0.086
683	68	3.5	2.3	0.13
104	100	3.0	1.8	0.19
154	150	2.6	1.5	0.25
224	220	2.4	1.2	0.38
334	330	1.9	1.0	0.56
474	470	1.4	0.82	0.85
684	680	1.2	0.72	1.10
105	1000	1.0	0.56	1.80

### Mechanical

### Schematic



#### Dimensions

Unless otherwise specified, all tolerances are:  
 inch: .XX : ± 0.015 .XXX : ±0.010  
 mm: X,X : ± 0,38 X,XX : ±0,25

Product performance is limited to specified parameter. Data is subject to change without prior notice.

PX15022-XX  
0602JW

2463 208th, Ste. 205  
Torrance, CA 90501

Phone: (310)533-1455  
Fax: (310)533-1853

<http://www.mpsind.com>  
Email: [sales@mpsind.com](mailto:sales@mpsind.com)