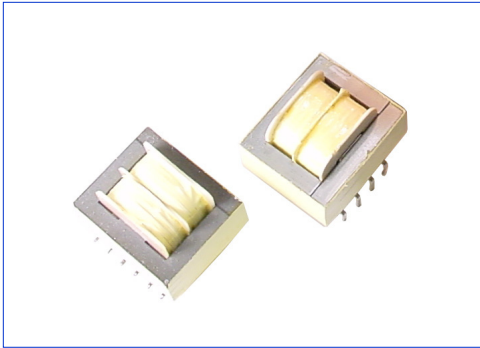


2.4VA 50Hz/60Hz LINE TRANSFORMER



P8E2R4VA SERIES

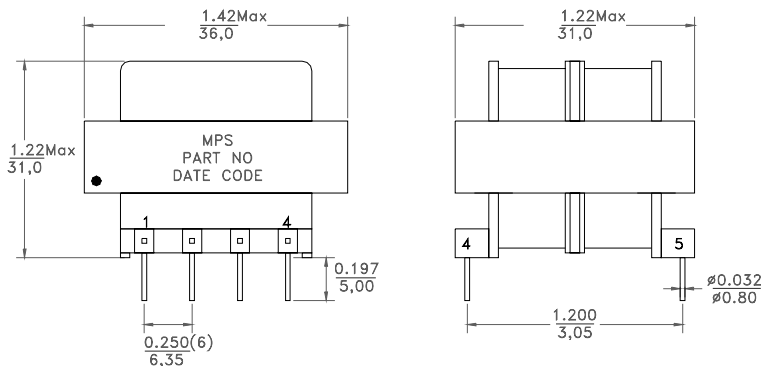


- RoHS Compliant Product
- Hipot: 2500V_{RMS} (Primaries to Secondaries)
- Class A (105°C) UL1411 equivalent
- Operating Temperature: -40°C to +105°C

ELECTRICAL SPECIFICATION @ 25°C

| Primary | Secondary RMS Rating | | | |
|--|------------------------------------|---------|---|---------|
| 115V input (1+3, 2+4) 230V input (1-4 with 2+3) | Series Output (5-8) Connect 6+7 | | Parallel Output (5-6) Connect 5+7, 6+8 | |
| Part No | Voltage | Current | Voltage | Current |
| P8E2R4VA- | (V) | (A) | (V) | (A) |
| 10 | 10 | 0.250 | 5 | 0.500 |
| 12R6 | 12.6 | 0.200 | 6.3 | 0.400 |
| 16 | 16 | 0.150 | 8 | 0.300 |
| 20 | 20 | 0.120 | 10 | 0.240 |
| 24 | 24 | 0.100 | 12 | 0.200 |
| 28 | 28 | 0.085 | 14 | 0.170 |
| 36 | 36 | 0.065 | 18 | 0.130 |
| 48 | 48 | 0.050 | 24 | 0.100 |
| 56 | 56 | 0.045 | 28 | 0.090 |
| 120 | 120 | 0.020 | 60 | 0.040 |

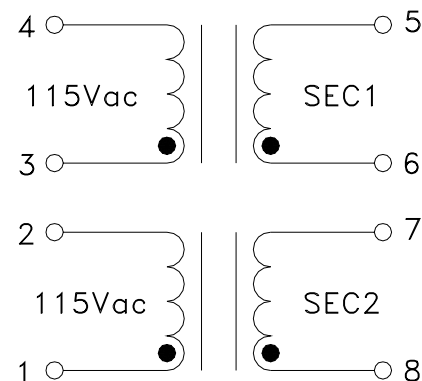
Mechanical



Dimensions

Unless otherwise specified, all tolerances are:
 inch: .XX : ± 0.015 .XXX : ± 0.004
 mm: X,X : ± 0,38 X,XX : ± 0,10

Schematic



Product performance is limited to specified parameter. Data is subject to change without prior notice.

P8E2R4VA-XXX
0606JW

2463 208th, Ste. 205
Torrance, CA 90501

Phone: (310)533-1455
Fax: (310)533-1853

<http://www.mpsind.com>
Email: sales@mpsind.com