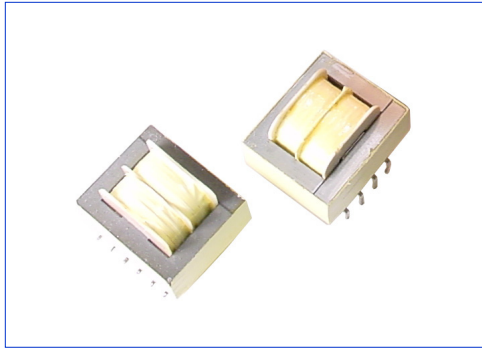


5VA 50Hz/60Hz LINE TRANSFORMER



P8E5VA SERIES



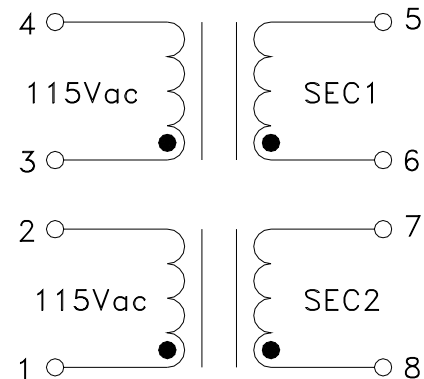
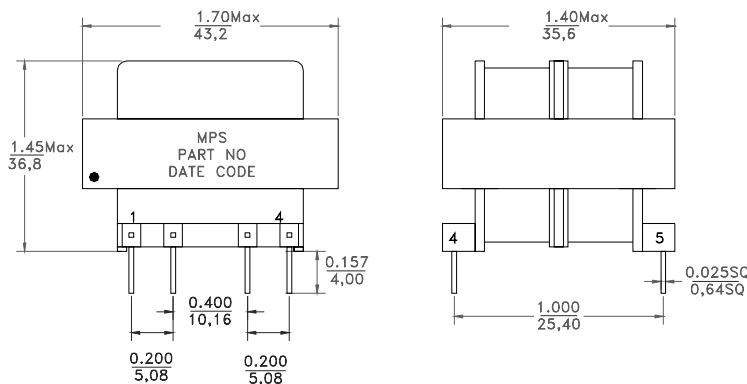
- RoHS Compliant Product
- Hipot: 4000V_{RMS} (Primaries to Secondaries)
- Class A (105°C) UL1411 equivalent
- Operating Temperature: -40°C to +105°C

ELECTRICAL SPECIFICATION @ 25°C

Primary	Secondary RMS Rating			
115V input (1+3, 2+4) 230V input (1-4 with 2+3)	Series Output (5-8) Connect 6+7		Parallel Output (5-6) Connect 5+7, 6+8	
Part No	Voltage	Current	Voltage	Current
P8E5VA-	(V)	(A)	(V)	(A)
10	10	0.50	5	1.00
12R6	12.6	0.40	6.3	0.80
16	16	0.31	8	0.62
20	20	0.25	10	0.50
24	24	0.21	12	0.42
28	28	0.18	14	0.36
36	36	0.14	18	0.28

Mechanical

Schematic



Dimensions

Unless otherwise specified, all tolerances are:
 inch: .XX : ± 0.015 .XXX : ± 0.004
 mm: X,X : ± 0,38 X,XX : ± 0,10

Product performance is limited to specified parameter. Data is subject to change without prior notice.

P8E5VA-XXX
06061W

2463 208th, Ste. 205
Torrance, CA 90501

Phone: (310)533-1455
Fax: (310)533-1853

<http://www.mpsind.com>
Email: sales@mpsind.com