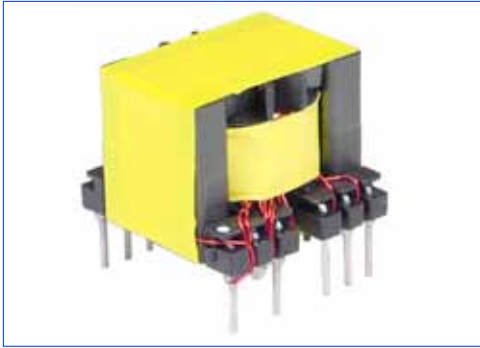


# FLYBACK POWER TRANSFORMER

## For use with Power Integrations TOPSwitch®-GX



### P3170



- Designed for Power Integrations TOP249Y chipset
- PQ26/20 platform
- 70 Watts power handling capability
- Minimum interwinding breakdown voltage of 1500Vrms
- Operating temperature: -20°C to +85°C
- Materials meet UL94V-0 requirements

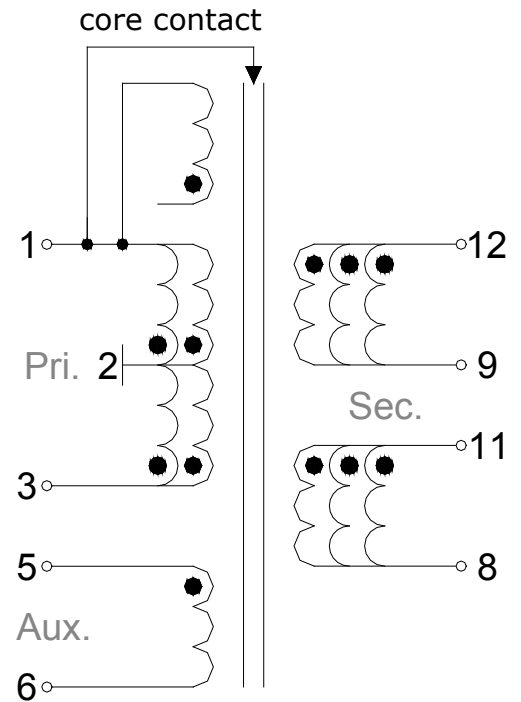
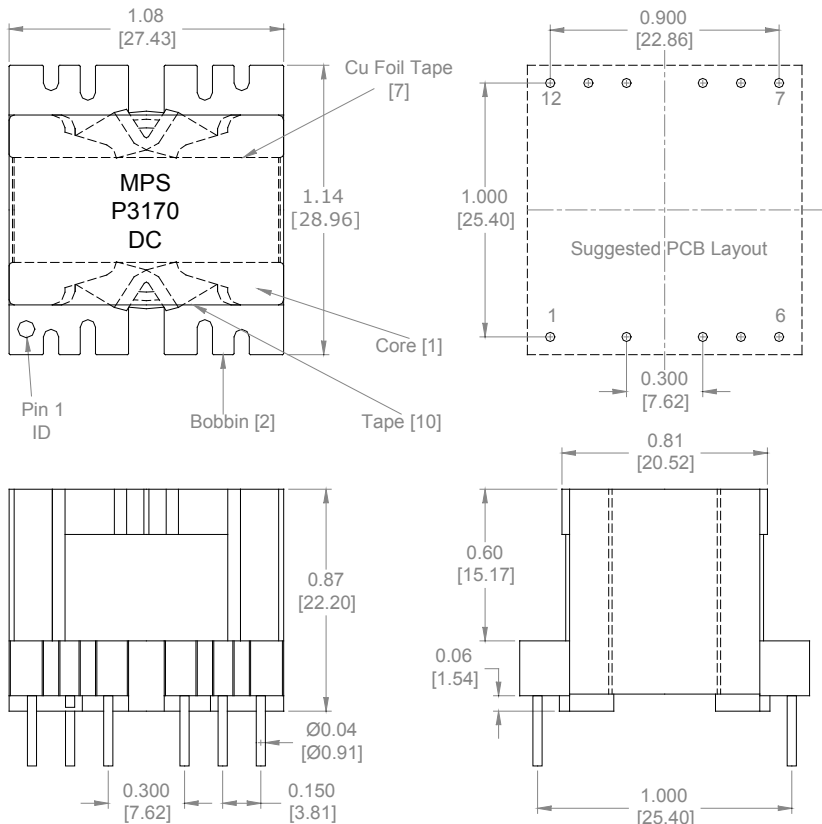
### ELECTRICAL SPECIFICATION @ 25°C

ParNumber	Turns Ratio (Pri.:Sec.:Aux)	Pri. Inductance ( $\mu\text{H} \pm 10\%$ )	Pri. Leakage Inductance ( $\mu\text{H} \text{ max.}$ )	Pri. Resonant Frequency (MHz min.)	Current RMS (Amp. typ.)			DCR (W max.)		
					Pri.	Sec.	Aux.	Pri.	Sec.	Aux.
		@ 130KHz 0.1Vrms	@ 130KHz 0.1Vrms							
P3170	18ct:3:2	270	2.5	1.3	1.3	6.2	0.5	.08	.006	.015

• Other turns ratios can be developed on request. Please contact MPS Engineering Team for further information.

#### Mechanical

#### Schematic



Unless otherwise specified, all tolerances are:  
 .XX  $\pm$  0.010" & .XXX  $\pm$  0.003"  
 Inches  
 [mm]

P3170-A  
 0448TA  
 1

Product performance is limited to specified parameter. Data is subject to change without prior notice.