

Digital Audio Transformers with Faraday Shielding



MPS Industries announces that it has developed a series of miniature digital audio transformers to comply with the Audio Engineering Society/European Broadcasting Union (AES/EBU) standards.

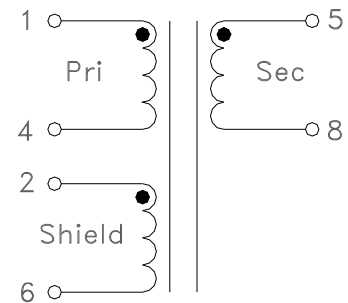


The new transformers are available in both thru-hole and surface mount versions, and all are RoHS compliant. Our standard digital audio transformers have turns ratio 1:1 with Faraday shielding. The sample data rate from 32KHz to 192KHz is good for both 75Ω to 110Ω connections.

The Faraday shielding and special construction/design allows our transformers to significantly improve the common mode rejection ratio by almost 30dB, while still keeping high definition on the data quality, lowest jitter rate, and wide bandwidth (>100MHz).

Our digital audio transforms can be custom designed into various configurations upon customer request. You are welcome to visit our webpage for standard items or contact our design engineers directly for custom requirements.

Digital audio transformer technical specifications and ordering information is available at www.mpsind.com.



Schematic

About MPS Industries

MPS Industries manufactures and distributes a full product range of Electronic components for commercial, computer, communication and medical applications. Manufacturing facilities are ISO 9001 compliant.

MPS offers a full range of custom and stock transformers and power supplies for quantities from 100 - 1 million pieces for commercial, aerospace, and medical applications.