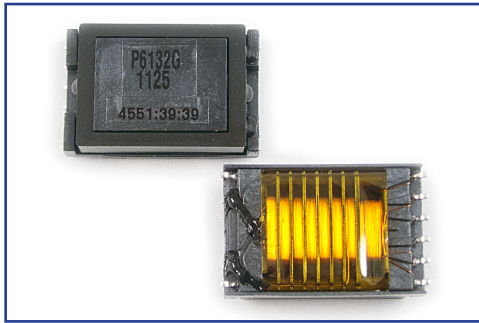


CCFL TRANSFORMER



P9101 SERIES



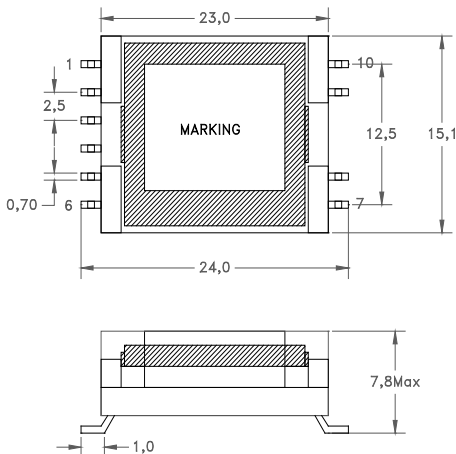
- Output power up to 6 Watts
- Designed for 40KHz - 100KHz LCD backlight applications
- Add Schematic Suffix Letter after the Part No. (Example: P9101-1A for Schematic A)
- Operating Temperature: -40°C to +85°
- RoHS compliant product

ELECTRICAL PARAMETERS @25°C

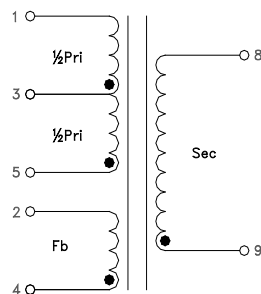
Part Number	Pri OCL Nom (μH)	DCR Max (Ω)	Vpri Volt	Turns Ratio		Isec (7-10) Max (mA)	Sec (7-10) DCR Max (Ω)	Fb DCR Max (Ω)
				Pri: Sec $\pm 5\%$	Pri: Fb $\pm 5\%$			
P9101-1	44	0.22	23	1:67	1:0.19	5	285	0.10
P9101-2	44	0.16	20	1:67	1:0.17	11	176	0.10
P9101-3	44	0.22	32	1:50	1:0.14	7	165	0.10
P9101-4	44	0.16	26	1:50	1:0.17	11	132	0.10
P9101-5	31	0.13	18	1:86	1:0.21	11	176	0.10
P9101-6	40	0.18	17	1:93	1:0.25	11	176	0.10
P9101-7	22	0.13	16	1:100	1:0.25	11	176	0.10
P9101-8	20	0.13	13	1:100	1:0.17	11	176	0.10
P9101-9	20	0.13	13	1:125	1:0.25	11	291	0.10

- Inductance measured @ 100KHz, 0.1VRMS for both halves Primary (Example: 1-3, 1-5)
- Hipot: 1500VRMS, 5 seconds (Pri and Fb to Sec); Schematic D is 500VRMS

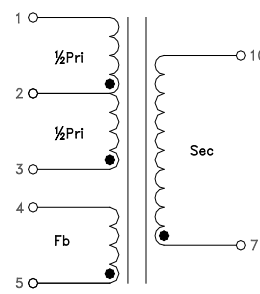
DIMENSIONS



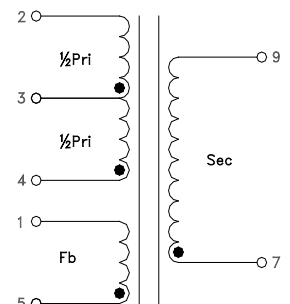
SCHEMATIC A



SCHEMATIC B



SCHEMATIC C



Dimensions

Unless otherwise specified, all tolerances are:
 inch: .XX : ± 0.015 .XXX : ± 0.004
 mm: X,X : ± 0.38 X,XX : ± 0.10

Product performance is limited to specified parameters. Data is subject to change without prior notice.

13200 Estrella Ave., Bldg. B
 Gardena, CA 90248

Tel: 310-325-1043
 Fax: 310-325-1044

www.mpsind.com
 sales@mpsind.com