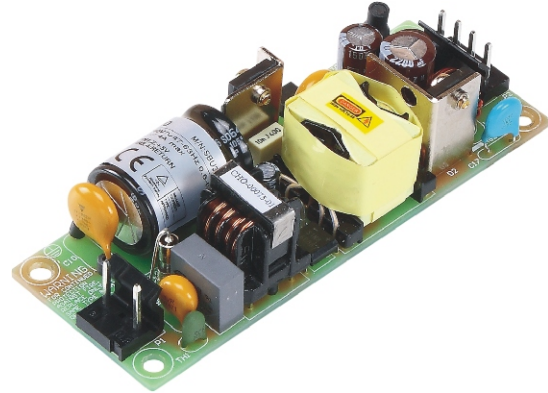


SBU31 SERIES

30W Open frame Switching Power Supplies For I.T.E.

Description:

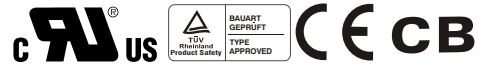
The SBU31 series of products, open frame constructed, AC/DC switching mode power supplies provide 30 Watts of continuous output power. They are suited for use in portable equipments and many other applications. All models meet CISPR-22 class B emission Limits and are designed to comply with new CE requirements. All units are 100% burned in and tested.



Features:

- Wide Operating Voltage 90 to 264 VAC, 47 to 63 Hz
- Input connector mates with Molex housing 09-50-3031 and Molex 2478 series crimp terminal
- Output connector mates with Molex housing 09-50-3041 and Molex 2478 series crimp terminal
- Single Output
- Input Surge Current, Over Voltage and Over Load protection
- Class I
- 2 year warranty

Safety Approvals:



Electrical Characteristics:

Sym.	Parameter	Test Conditions	Min.	Typ.	Max.	Unit
Vin	Safety Approvals Input Voltage Range		100		240	VAC
	Operate Voltage Range		90		264	VAC
fin	Input Frequency		47		63	Hz
Po	Output Power Range	Vin=90 to 264VAC	0		30	W
Vo	Output Voltage Range		See rating chart			V
Io	Output Current Range		See rating chart			A
Iil	Input Current (Low Line)	Io=Full load, Vin=115VAC			0.8	A
Iih	Input Current (High Line)	Io=Full load, Vin=230VAC			0.5	A
Irl	Low Line Inrush Current	Io=Full load, 25°C, Cool start, Vin=115VAC		12	15	A
Irh	High Line Inrush Current	Io=Full load, 25°C, Cool start, Vin=230VAC		26	35	A
Eff	Efficiency	Io=Full Load, Vin=230VAC	78	84	88	%
REG-i	Line Regulation	Io=Full Load		0.5	1	%
REG-o	Load Regulation	Vin=230VAC		3	5	%
OVP	Over Voltage Protection		112		132	%
OCP	Over Current Protection		110		150	%
Ttr	Time of Transient Response	Io=Full Load to Half Load, Vin=100VAC			4	mS
Thold	Hold-Up Time	Io=Full Load, Vin=110VAC	12			mS
Ts	Start Up Time	Io=Full Load, Vin=100VAC			2	S
Vp-p	Ripple & Noise (Peak to Peak)	Full Load, Vin=90VAC		0.5	1	%
Ilk	Safety Ground Leakage Current	Io=Full Load, Vin=240VAC		0.4	0.75	mA
TC	Temperature Coefficient	All output	-0.04		0.04	%/°C
Pno	No-Load Power Consumption	No load, Vin=240VAC			0.3	W

Environmental :

Sym.	Parameter	Test Conditions	Min.	Typ.	Max.	Unit
Toper	Operating Temperature		0	40	70	°C
Tstg	Storage Temperature		-40		85	°C
Ho	Operating Humidity		0		95	%
Hr	Storage Humidity		0		75	%
MTBF	Operating Temperature at 25°C, Calculated per MIL-HDBK-217F		0.1M			Hrs
Pd	Derate linearly from 100% load at 40°C to 50% load at 70°C					

SBU31 SERIES

30W Open Frame Switching Power Supplies For I.T.E.

Safety Specifications:

Sym.	Parameter	Test Conditions	Min.	Typ.	Max.	Unit
Vps	Dielectric Withstanding Voltage for Primary to secondary	Primary to secondary	4242			VDC
Vpg	Dielectric Withstanding Voltage for Primary to Ground	Primary to ground	2121			VDC
Ris	Isolation Resistance	Test Voltage=500VDC	50			M Ω
CISPR	EMI requirements for CISPR-22	Vin=220VAC	B			CLASS
FCC	EMI requirements for FCC PART-15	Vin=110VAC	B			CLASS

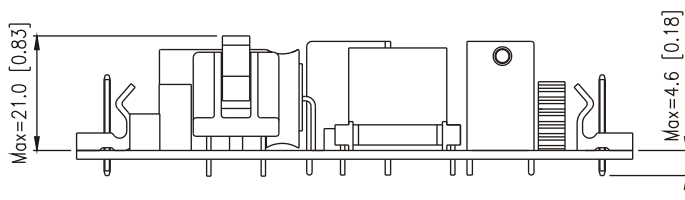
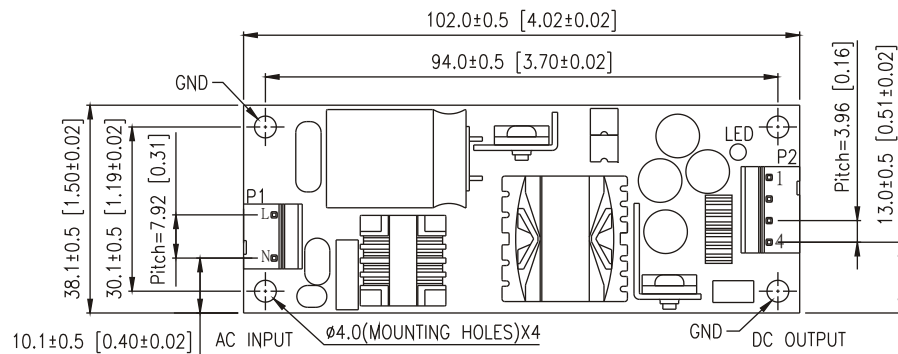
Output Voltage And Current Rating Chart (Single Output) :

Model Number	Output Voltage	Output Current	Total Regulation	Maximum Output Power
SBU31-102	5 ~ 6 VDC	4.00 ~ 3.33 A	5%	20W
SBU31-103	6 ~ 8 VDC	3.83 ~ 2.87 A	5%	23W
SBU31-104	8 ~ 11 VDC	3.38 ~ 2.45 A	5%	27W
SBU31-105	11 ~ 13 VDC	2.73 ~ 2.30 A	5%	30W
SBU31-106	13 ~ 16 VDC	2.30 ~ 1.88 A	5%	30W
SBU31-107	16 ~ 21 VDC	1.88 ~ 1.43 A	5%	30W
SBU31-108	21 ~ 27 VDC	1.43 ~ 1.11 A	3%	30W
SBU31-109	27 ~ 33 VDC	1.11 ~ 0.91 A	3%	30W
SBU31-110	33 ~ 40 VDC	0.91 ~ 0.75 A	3%	30W
SBU31-111	40 ~ 48 VDC	0.75 ~ 0.62 A	3%	30W

PIN CHART

MODEL	PIN			
	1	2	3	4
SBU31-1XX	OUT	OUT	RTN	RTN

Mechanical Specifications: :



Note:

1. Dimensions are shown in mm.
2. Weight: 85gs approx.
3. Input connector mates with Molex housing 09-50-3031 and Molex 2478 series crimp terminal