

WIDE BAND ISOLATION TRANSFORMER



R3600



- For RF, DS3/E3, Broadband, BPL and Ethernet Magnetics which require Supplementary or Reinforced Isolation
- Construction complies with IEC60950 Isolation requirement
- RoHS Compliant Product
- Operating Temp : 0°C to 70°C (extended temperature subject to request)

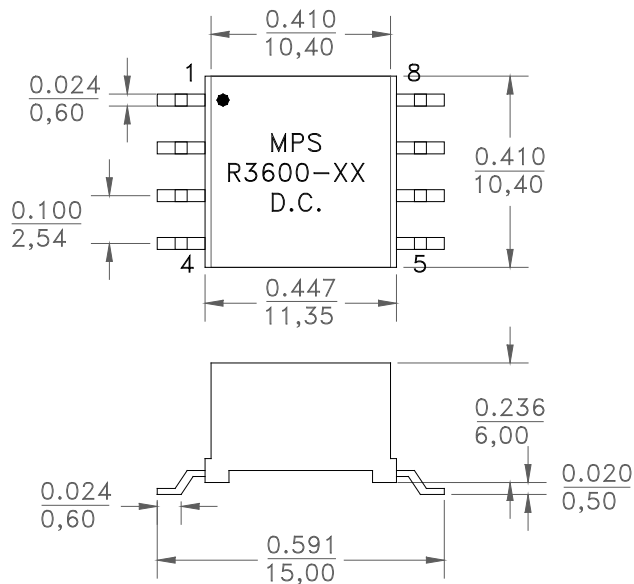
ELECTRICAL SPECIFICATION @ 25°C

Part No.	Turns Ratio Pri : Sec ±5%	Pri OCL (μ H) Min 1-4	Pri DCR (Ω) Max 1-4	Insertion Loss dB Max 1MHz	Insertion Loss dB Max 100MHz	Insertion Loss dB Max 300MHz	Hipot V_{RMS} Pri to Sec	Schematic
R3600-1	1:1	500	.30	-0.5	-1.0	-2.6	4500	B
R3600-2	1CT:1CT	800	.50	-0.5	-1.2	-3.5	3000	A
R3600-3	1:2	120	.20	-0.8	-1.0	-1.5	4500	B
R3600-4	1:1:1	120	.20	-0.8	-1.0	-1.5	4500	C
R3600-5	3:3:1	200	.30	-0.5	-1.0	-3.0	3000	C
R3600-6	1:1.224	500	.50	-0.8	-1.0	-3.0	3000	B

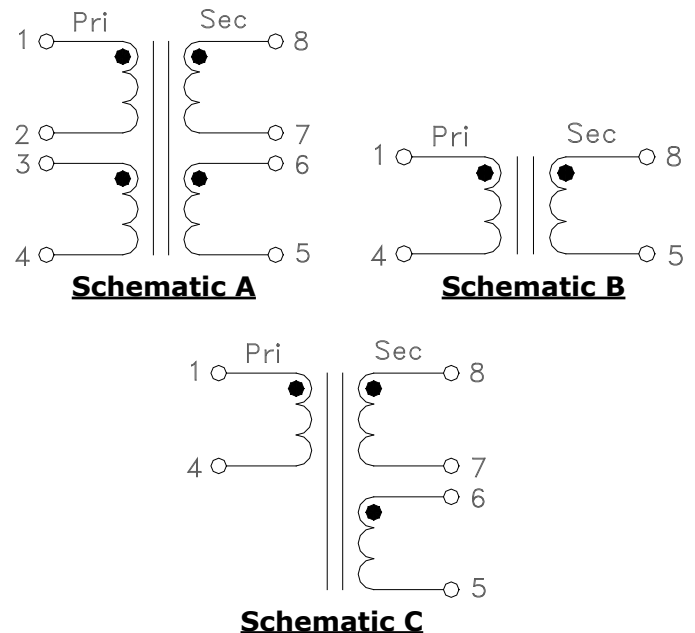
Note:

- OCL measured @ 100KHz, 0.1V_{RMS} at Pin 1-4 (with 2-3 shorted)
- Insertion Loss measured with 100 Ω as Input (Primary) Impedance between 1-4 and Output (Secondary) load with respective impedance
- 50 Ω and 75 Ω impedance data available upon request

MECHANICAL



SCHEMATIC



Dimensions

Unless otherwise specified, all tolerances are:
 inch: .XX : ±0.015 .XXX : ±0.004
 mm: X,X : ±0,38 X,XX : ±0,10

Product performance is limited to specified parameters.
 Data is subject to change without prior notice.